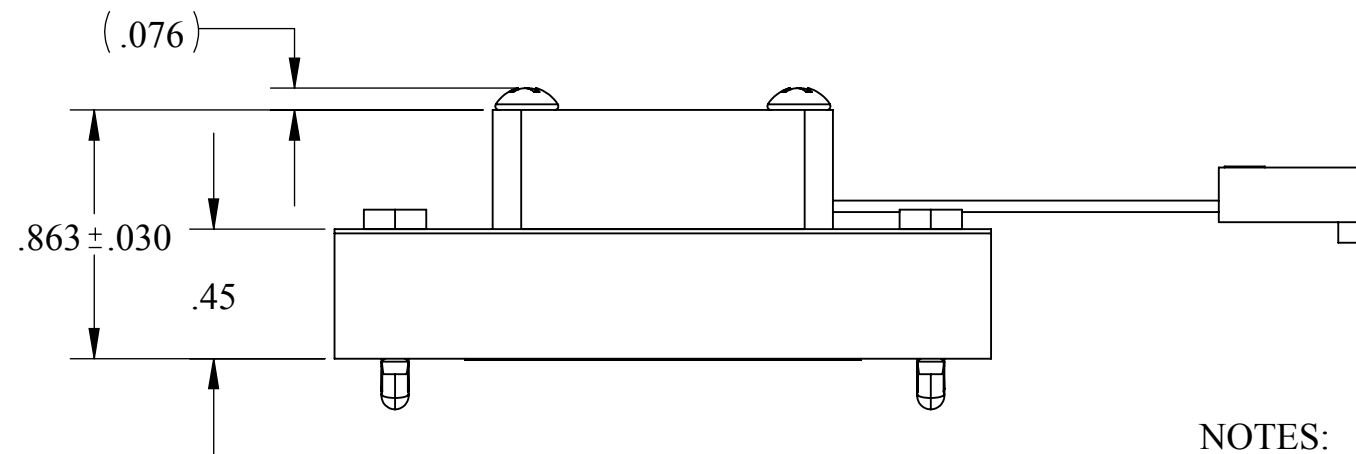
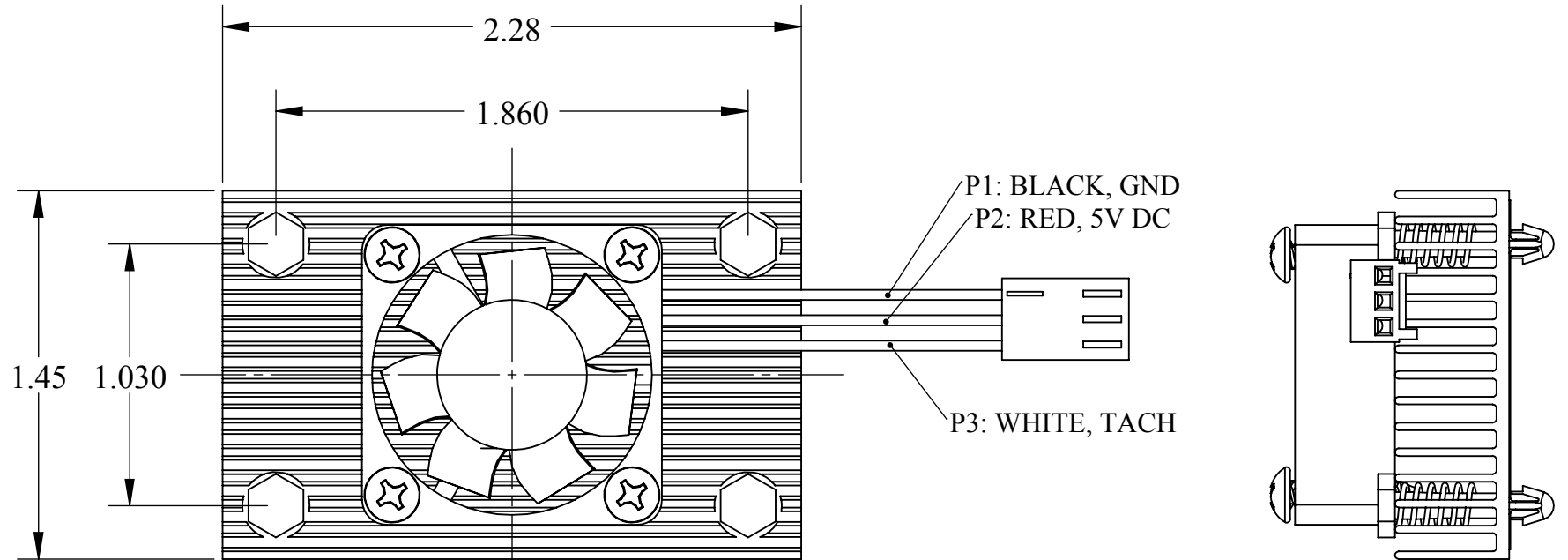
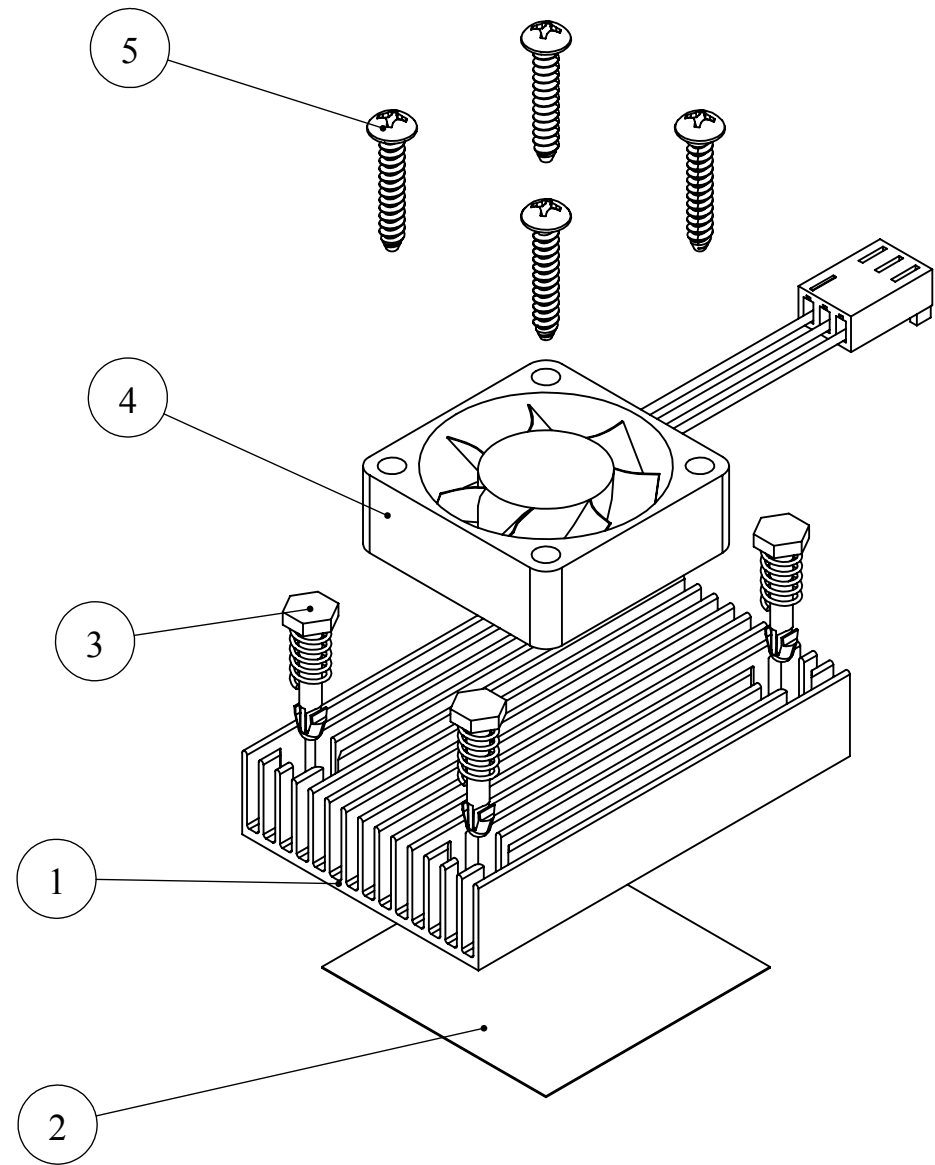


THE INFORMATION CONTAINED IN THIS DRAWING IS THE SOLE PROPERTY OF RADIAN HEAT SINKS AND ANY REPRODUCTION IN PART OR IN WHOLE IS STRICTLY PROHIBITED WITHOUT THE WRITTEN PERMISSION OF RADIAN HEATSINKS.

REVISIONS			
REV.	DESCRIPTION	DATE	APPROVED
A	INITIAL RELEASE	08/11/08	FWANG
B	PER ECN#104281	5/18/11	SCAO
C	ECN1506111: REPLACED HS8075 WITH HS8108 AND SCREW	6/11/15	SCAO
D	ECN1507012: EXCHANGED PIN P1 WITH PIN P3	7/1/15	SCAO

EXPLODED VIEW



- NOTES:
 1. WIRE LENGTH 11.8 ± .4" (300 ± 10 MM).
 2. RECOMMENDED HOLE DIAMETER ON PCB: ϕ .125".
 3. RECOMMENDED MATING CONNECTOR HEADER MOLEX 22-23-2031

ITEM #	PART #	DESCRIPTION	QTY
1	HS1568EB	1.45X2.28X.45 PLATE FIN HEAT SINK	1
2	P3809	CHOMERICS T725 PAD 1.375X1.375"	1
3	K01	PUSHMAGIC PUSH PIN	4
4	HS8108	30MM 5V DC FAN WITH CONNECTOR	1
5	4N62PPBZB	#4 X 5/8 PHIL PAN TYPE B SMS BLK (RoHS)	4

UNLESS OTHERWISE SPECIFIED DIMENSIONS ARE IN INCHES TOLERANCES ARE:
 FRACTIONS DECIMALS ANGLES
 ± .XX ± .010 ± 1
 .XXX ± .005

CAD GENERATED DRAWING, DO NOT MANUALLY UPDATE	
APPROVALS	DATE
DRAWN TLAM	08/11/08
CHECKED FWANG	08/11/08
RESP ENG FWANG	08/11/08
MPS-ENG	
QUAL ENG	

RADIAN HEATSINKS
 RADIAN THERMAL PRODUCTS, INC.
 2160 WALSH AVE
 SANTA CLARA, CA - 95050

5V PUSH PIN FAN SINK	
SIZE B	DWG. NO. FF1568+P3809+K01
REV. D	

NEXT ASSY	USED ON
APPLICATION	DO NOT SCALE DRAWING