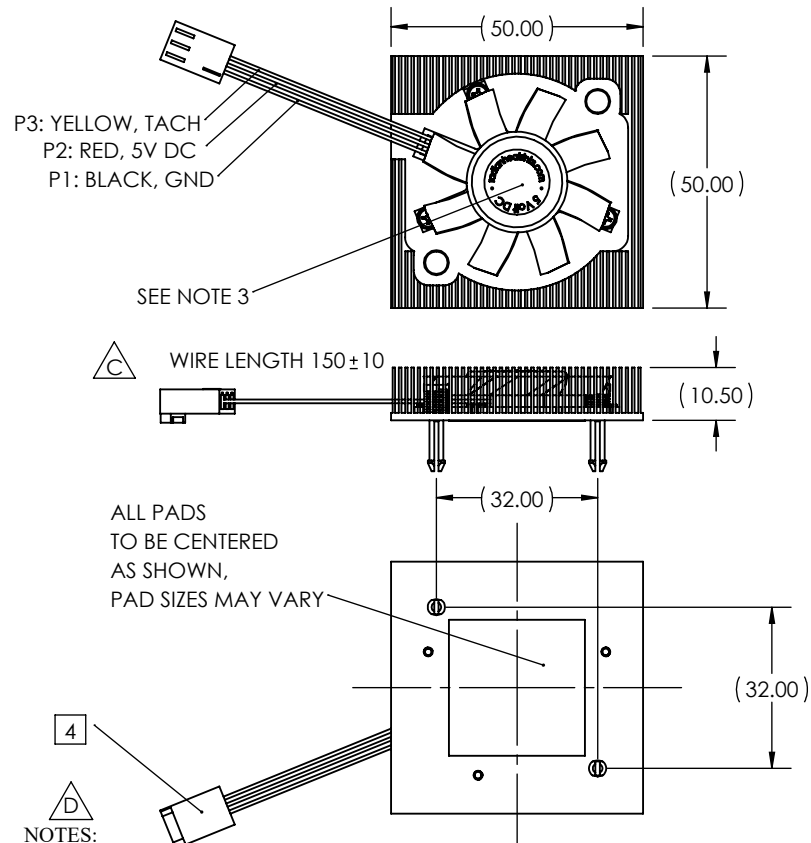
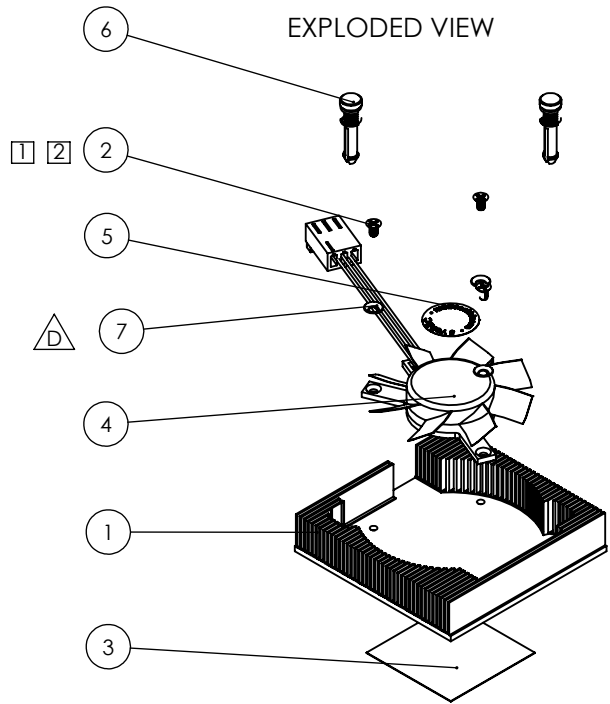


THE INFORMATION CONTAINED IN THIS DRAWING IS THE SOLE PROPERTY OF RADIAN HEATSINKS AND ANY REPRODUCTION IN PART OR IN WHOLE IS STRICTLY PROHIBITED WITHOUT THE WRITTEN PERMISSION OF RADIAN HEATSINKS.

REV	DESCRIPTION	DRAWN	APPROVED	DATE
A	INITIAL RELEASE	AG	AS	4/18/18
B	ECN1809121: CHANGED HOLE CALLOUT IN PCI4003	AG	AV	9/19/18
C	ECN1811011: CHANGED WIRE LENGTH TO 150MM	JM	AG	11/5/18
D	ECN:2009151: INCLUSION OF ITEM 7 AND SHEET 2	JP	KP	9/16/2020



- NOTES:
- APPLY LOCTITE 271 RED THREADLOCKER TO ITEM 2 BEFORE ASSEMBLING.
 - ITEM 2 CANNOT PROTRUDE BEYOND BOTTOM OF BASE.
 - RADIAN LABEL TO BE PLACED ON TOP OF FAN, VISUAL OF LABEL WILL VARY.
 - MOLEX CONNECTOR 22-01-3037.
 - RECOMMENDED HOLE ON PCB:
3.2MM FOR PLASTIC PUSHPIN,
3.0MM FOR BRASS PUSHPIN.
 - FAN MODEL IS FOR ILLUSTRATION ONLY, ACTUAL PART MAY VARY.
 - ROUTE WIRE THROUGH CUTOUT.
 - ITEM 7 IS TO BE PLACED IN ORIENTATION SHOWN
 - PART TO BE RoHS COMPLIANT.

TABLE 1: COMPLETE PART NUMBER WITH OPTIONS

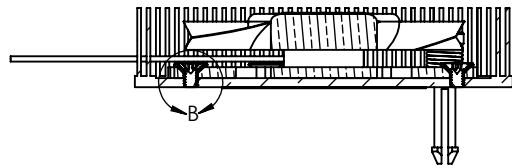
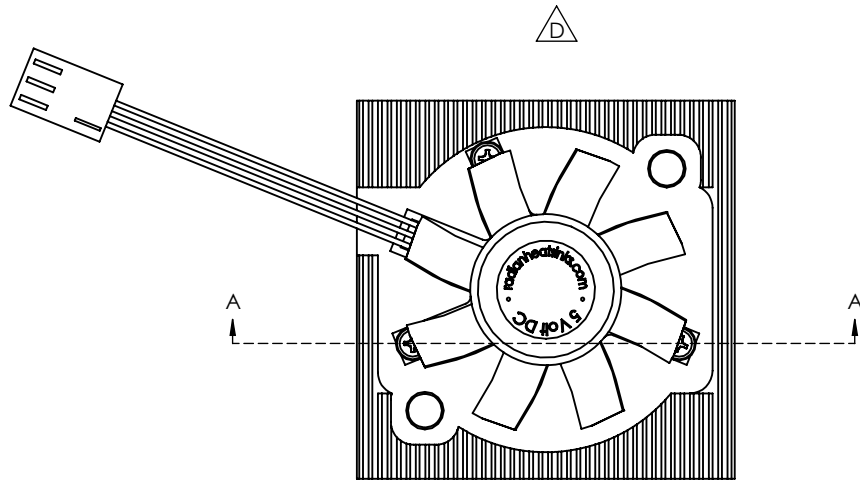
ROOT	PUSHPIN	THERMAL PAD
SC05S	NONE	NONE OR PXXXX OR 3M8815
	B (BRASS PUSHPIN) - HS8097SP029	NONE OR PXXXX OR P1814 (LAIRD T-MATE 2905c PHASE CHANGE 27X27MM)
	P (PLASTIC PUSHPIN)- HS8143	

EXAMPLE PART NUMBER: SC05S+B+P1814

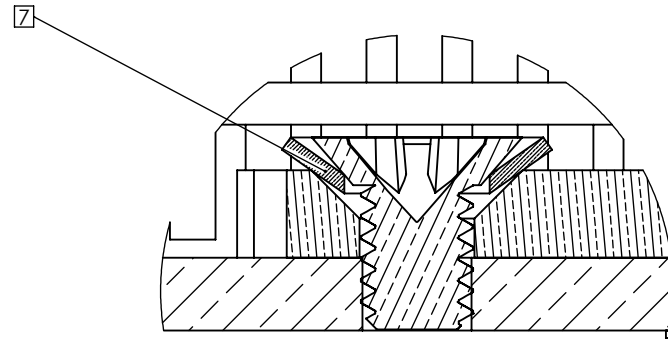
ITEM NO.	PART NUMBER	DESCRIPTION	QTY.
1	PCI4003	50X50X10.5MM COPPER PCI HEATSINK	1
2	91771A164	18-8 SS #1-72 THREAD FLATHEAD SCREW 1/8"	3
3	SEE TABLE 1	THERMAL PAD	1
4	HS8252	Ø38MM 5V DC FAN WITH CONNECTOR	1
5	HS8255	RADIAN LABEL-5V DC	1
6	SEE TABLE 1	BRASS PUSH PIN	2
7	B0187010S	DISC SPRING, 0.093 INCHES, SS, BELLEVILLE, PK10	3

MATERIAL	APPROVALS	DATE	RADIAN HEATSINKS RADIAN THERMAL PRODUCTS, INC. 2160 WALSH AVE SANTA CLARA, CA 95050
FINISH	DRAWN	2/7/2018	
UNLESS OTHERWISE SPECIFIED DIMENSIONS ARE IN MM TOLERANCES ARE: 1 PLACE DECIMALS: ± 0.25 2 PLACE DECIMALS: ± 0.10 ANGLES: ± 1°	CHECKED	10/13/2020	
	MFG ENG		
THIRD ANGLE PROJECTION	QUAL ENG.		50X50X10.5MM COPPER PCI FANSINK 5V SIZE DWG. NO. SC05S
	SHEET 1 OF 1	A	REV. D

THE INFORMATION CONTAINED IN THIS DRAWING IS THE SOLE PROPERTY OF RADIAN HEATSINKS AND ANY REPRODUCTION IN PART OR IN WHOLE IS STRICTLY PROHIBITED WITHOUT THE WRITTEN PERMISSION OF RADIAN HEATSINKS.



SECTION A-A



DETAIL B

UNLESS OTHERWISE SPECIFIED
 DIMENSIONS ARE IN MM
 TOLERANCES ARE:
 1 PLACE DECIMALS: ± 0.25
 2 PLACE DECIMALS: ± 0.10
 ANGLES: $\pm 1^\circ$

THIRD ANGLE PROJECTION

APPROVALS	DATE
DRAWN JPOLLARD	10/19/2020
CHECKED KPINHIERO	11/4/2020
ENGINEER JPOLLARD	10/19/2020



RADIAN HEATSINKS
 RADIAN THERMAL PRODUCTS, INC.
 2160 WALSH AVE
 SANTA CLARA, CA 95050

**63.37X50X10.5 MM COPPER
 PCI FANSINK 5V**

SIZE DWG. NO.

A

SC05S

REV.

D

SHEET 2 OF 2