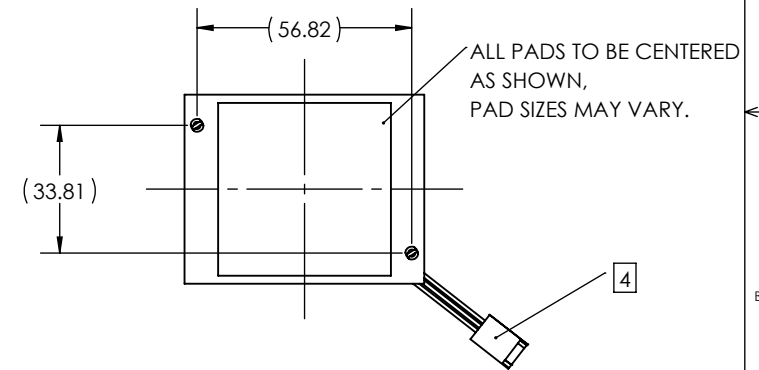
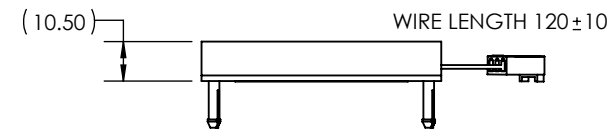
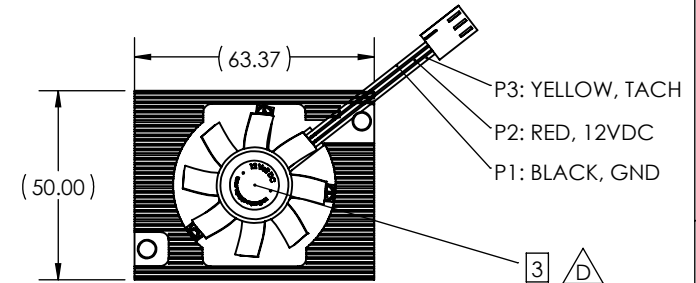
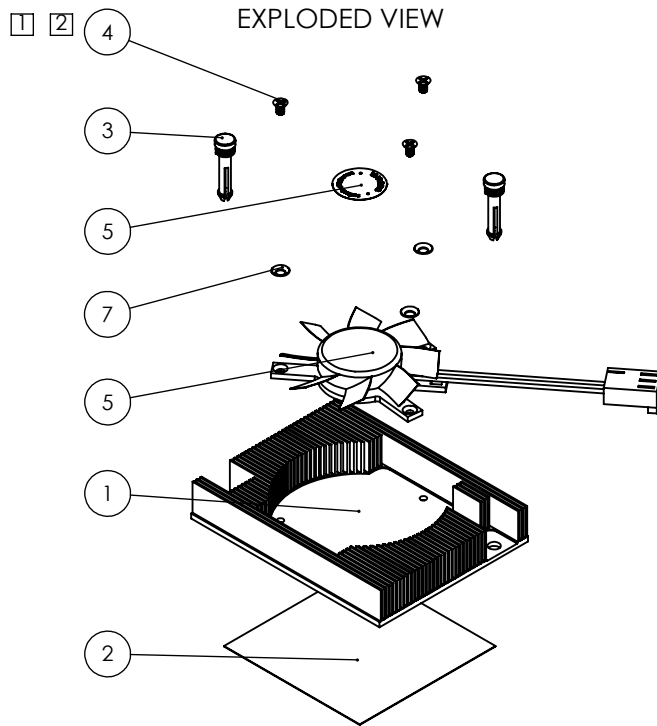


THE INFORMATION CONTAINED IN THIS DRAWING IS THE SOLE PROPERTY OF RADIAN HEATSINKS AND ANY REPRODUCTION IN PART OR IN WHOLE IS STRICTLY PROHIBITED WITHOUT THE WRITTEN PERMISSION OF RADIAN HEATSINKS.


REV	DESCRIPTION	DRAWN	APPROVED	DATE
A	INITIAL RELEASE	AG	AS	4/24/18
B	ECN1809121: CHANGED HOLE CALLOUT IN PCI4004	AG	AV	9/19/18
C	ECN2009151: ADDITION OF ITEM 7	JP	KP	9/15/2020
D	ECN2103222: REMOVAL OF FIN FROM ITEM 1, LABEL PLACEMENT CHANGED TO FLAG NOTE	JP	KC	3/23/2021
E	ECN2104191: CHANGES TO ITEM 1	WR	JP	5/28/2021



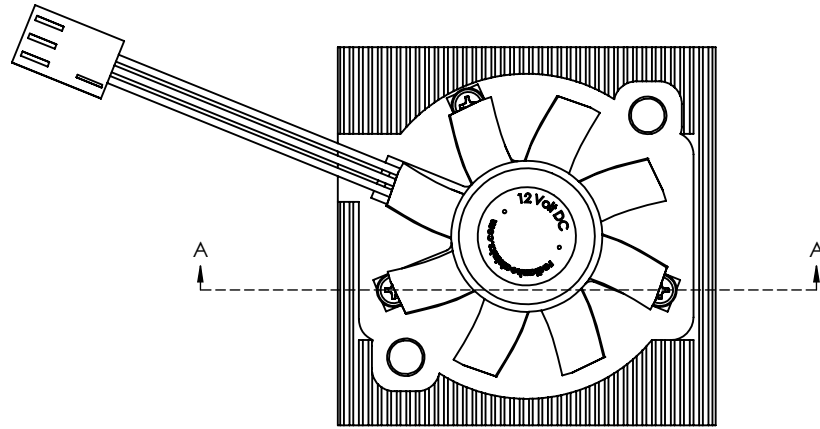
ROOT	PUSHPIN	THERMAL PAD
SC12L	NONE	NONE OR PXXXX OR 3M8815 (FULL COVERAGE)
	B (BRASS PUSHPIN) - HS8097SP029	NONE OR PXXXX OR P5814 (LAIRD T-MATE 2905c PHASE CHANGE 45.72X45.72MM)
	P (PLASTIC PUSHPIN)- HS8143	
EXAMPLE PART NUMBER: SC12L+B+P1814		

- NOTES:
- APPLY LOCTITE 271 RED THREADLOCKER TO ITEM 4 BEFORE ASSEMBLING.
 - ITEM 4 CANNOT PROTRUDE BEYOND BOTTOM OF BASE.
 - RADIAN LABEL TO BE PLACED ON TOP OF FAN, VISUAL OF LABEL WILL VARY.
 - MOLEX CONNECTOR 22-01-3037.
 - RECOMMENDED HOLE ON PCB:
3.2MM FOR PLASTIC PUSHPIN,
3.0MM FOR BRASS PUSHPIN.
 - FAN MODEL IS FOR ILLUSTRATION ONLY, ACTUAL PART MAY VARY.
 - ROUTE WIRE THROUGH CUTOUT.
 - ITEM 7 IS TO BE PLACED IN ORIENTATION SHOWN
 - PART TO BE RoHS COMPLIANT.

ITEM NO.	PART NUMBER	DESCRIPTION	QTY.
1	PCI4004	63.37X50.0X10.5MM COPPER PCI HEAT SINK	1
2	SEE TABLE 1	THERMAL PAD	1
3	SEE TABLE 1	PUSHPIN	2
4	91771A164	18-8 SS #1-72 THREAD FLATHEAD SCREW 1/8"	3
5	HS8249	RADIAN LABEL-12V DC	1
6	HS8244	Ø 38MM 12V DC FAN WITH CONNECTOR	1
7	B0187010S	DISC SPRING, 0.093 INCHES, SS, BELLEVILLE, PK10	3

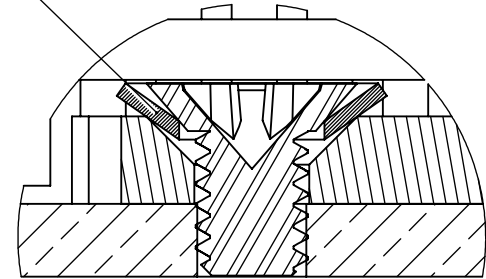
MATERIAL	APPROVALS	DATE	 RADIAN HEATSINKS RADIAN THERMAL PRODUCTS, INC. 2160 WALSH AVE SANTA CLARA, CA 95050
FINISH	DRAWN AGOWDA	2/8/2018	
UNLESS OTHERWISE SPECIFIED DIMENSIONS ARE IN MM TOLERANCES ARE: 1 PLACE DECIMALS: ± 0.25 2 PLACE DECIMALS: ± 0.10 ANGLES: ± 1°	CHECKED KPINHIRO	10/19/2020	
THIRD ANGLE PROJECTION	MFG ENG QUAL ENG.		
SHEET 1 OF 1			63.37X50X10.5MM COPPER PCI FANSINK 12V SIZE DWG. NO. SC12L
			REV. E

THE INFORMATION CONTAINED IN THIS DRAWING IS THE SOLE PROPERTY OF RADIAN HEATSINKS AND ANY REPRODUCTION IN PART OR IN WHOLE IS STRICTLY PROHIBITED WITHOUT THE WRITTEN PERMISSION OF RADIAN HEATSINKS.

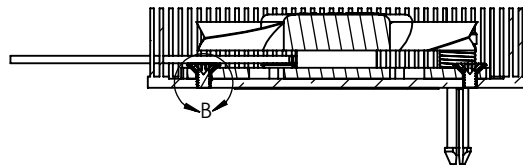


A

8



DETAIL B



SECTION A-A

UNLESS OTHERWISE SPECIFIED
 DIMENSIONS ARE IN MM
 TOLERANCES ARE:
 1 PLACE DECIMALS: ± 0.25
 2 PLACE DECIMALS: ± 0.10
 ANGLES: $\pm 1^\circ$

THIRD ANGLE PROJECTION

APPROVALS	DATE
DRAWN JPOLLARD	10/19/2020
CHECKED KPINHIERO	3/30/2021
ENGINEER JPOLLARD	3/30/2021



RADIAN HEATSINKS
 RADIAN THERMAL PRODUCTS, INC.
 2160 WALSH AVE
 SANTA CLARA, CA 95050

**63.37X50X10.5MM COPPER
 PCI FANSINK 12V**

SIZE DWG. NO.

SHEET 2 OF 2

A

SC12L

REV.

E