

THE INFORMATION CONTAINED IN THIS DRAWING IS THE SOLE PROPERTY OF RADIAN HEATSINKS AND ANY REPRODUCTION IN PART OR IN WHOLE IS STRICTLY PROHIBITED WITHOUT THE WRITTEN PERMISSION OF RADIAN HEATSINKS.

REV	DESCRIPTION	DRAWN	APPROVED	DATE
A	INITIAL RELEASE	AG	AS	12/08/17
B	UPDATED PER ECN1802131: UPDATED THE TABLE WITH SPRING, CHANGED THERMAL PAD, MODIFIED RADIAN LABEL DESCRIPTION, ADDED NOTES 4, 5&6	AG	AS	4/23/18
C	ECN1809121: CHANGED HOLE CALLOUT IN PCI4002	AG	AV	9/19/18
D	ECN1811011: CHANGED WIRE LENGTH TO 150MM, MODIFIED PART NUMBER FOR ITEM #6	JM	AG	11/5/18

EXPLODED VIEW

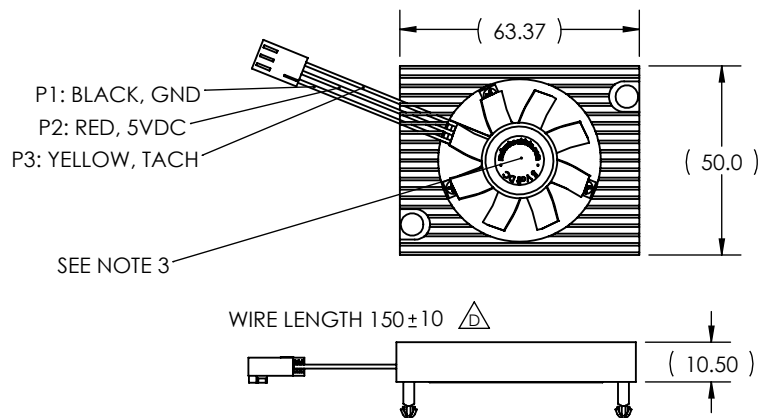
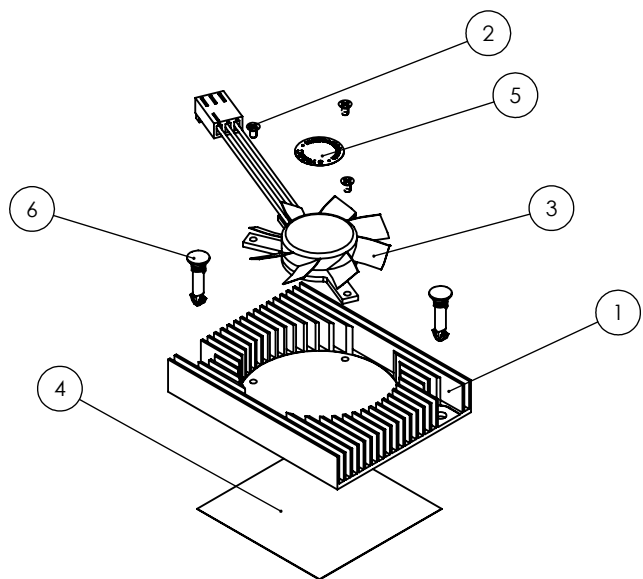
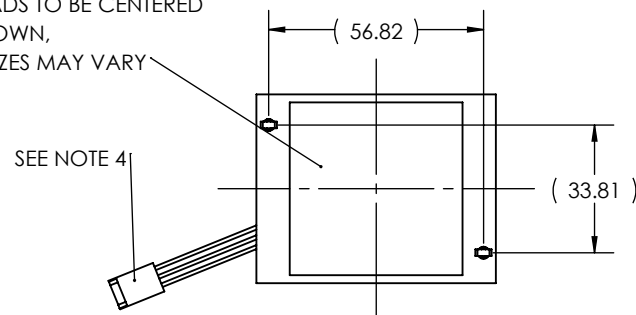


TABLE 1: COMPLETE PART NUMBER WITH OPTIONS		
ROOT	PUSH PIN	THERMAL PAD
SZ05L	NONE	NONE OR PXXXX OR 3M8815 (FULL COVERAGE)
	B (BRASS PUSH PIN)-HS8097SP029	NONE OR PXXXX OR (LAIRD T-MATE 2905c PHASE CHANGE 45.72X45.72 MM)
	P (PLASTIC PUSH PIN)-HS8143	

EXAMPLE PART NUMBER: SZ05L+B


ALL PADS TO BE CENTERED AS SHOWN, PAD SIZES MAY VARY



NOTES:

1. APPLY LOCTITE 222 PURPLE THREADLOCKER TO ITEM 2 BEFORE ASSEMBLING.
2. ITEM 2 CANNOT PROTRUDE BEYOND BOTTOM OF BASE.
3. RADIAN LABEL TO BE PLACED ON TOP OF FAN, VISUAL OF LABEL WILL VARY.
4. MOLEX CONNECTOR 22-01-3037.
5. RECOMMENDED HOLE ON PCB:  
3.2MM FOR PLASTIC PUSHPIN,  
3.0MM FOR BRASS PUSHPIN.
6. FAN MODEL IS FOR ILLUSTRATION ONLY, ACTUAL PART MAY VARY.  
ROUTE WIRE THROUGH AVAILABLE FIN GAPS
7. PART TO BE RoHS COMPLIANT.

ITEM NO.	PART NUMBER	DESCRIPTION	QTY.
1	PCI4002	63.37X50X10.5MM ALUMINUM PCI HEAT SINK	1
2	91771A164	18-8 SS #1-72 THREAD FLATHEAD SCREW 1/8" LENGTH	3
3	HS8252	Ø38MM 5V DC FAN WITH CONNECTOR	1
4	SEE TABLE 1	THERMAL PAD	1
5	HS8255	RADIAN LABEL-5V DC	1
6	SEE TABLE 1	PUSH PIN	2

MATERIAL	APPROVALS	DATE	 <b>RADIAN HEATSINKS</b> RADIAN THERMAL PRODUCTS, INC. 2160 WALSH AVE SANTA CLARA, CA 95050
FINISH	DRAWN	12/8/2017	
UNLESS OTHERWISE SPECIFIED DIMENSIONS ARE IN <b>MM</b> TOLERANCES ARE: 1 PLACE DECIMALS: ± 0.25 2 PLACE DECIMALS: ± 0.10 ANGLES: ± 1°	CHECKED	9/19/2018	
	MFG ENG		
THIRD ANGLE PROJECTION	QUAL ENG.		63.37X50X10.5 MM AL PCI FANSINK 5V
	SHEET 1 OF 1	SIZE DWG. NO.	SZ05L
		REV.	D