

THE INFORMATION CONTAINED IN THIS DRAWING IS THE SOLE PROPERTY OF RADIAN HEATSINKS AND ANY REPRODUCTION IN PART OR IN WHOLE IS STRICTLY PROHIBITED WITHOUT THE WRITTEN PERMISSION OF RADIAN HEATSINKS.

REV	DESCRIPTION	DRAWN	APPROVED	DATE
A	INITIAL RELEASE	AG	AS	2/9/18
B	UPDATED TABLE PER ECN1802131: UPDATED TABLE WITH SPRING, CHANGED THERMAL PAD, MODIFIED RADIAN LABEL DESCRIPTION, ADDED NOTES	AG	AS	4/23/18
C	ECN1809121: CHANGED HOLE CALLOUT ON PCI4002	AG	AV	9/19/18
D	ECN1811011: MODIFIED PART NUMBER FOR ITEM #6, UPDATED NOTES	JM	AG	11/5/18

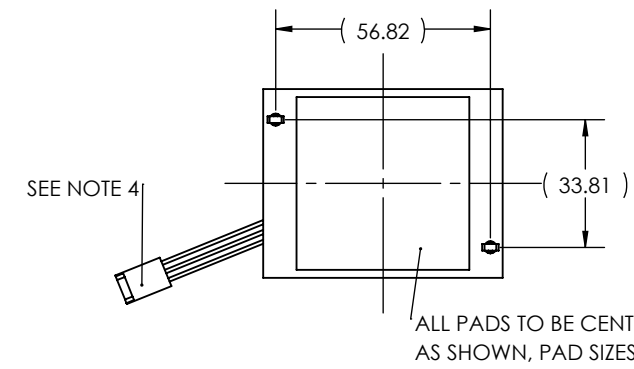
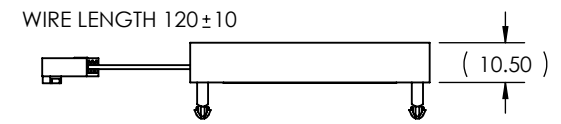
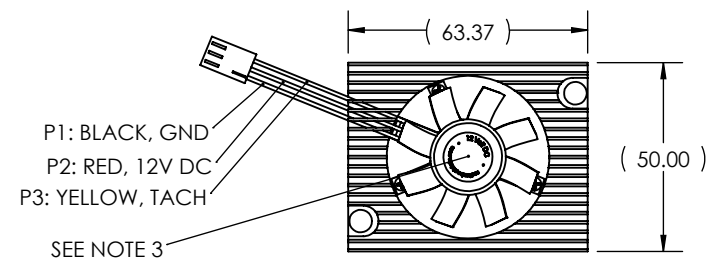
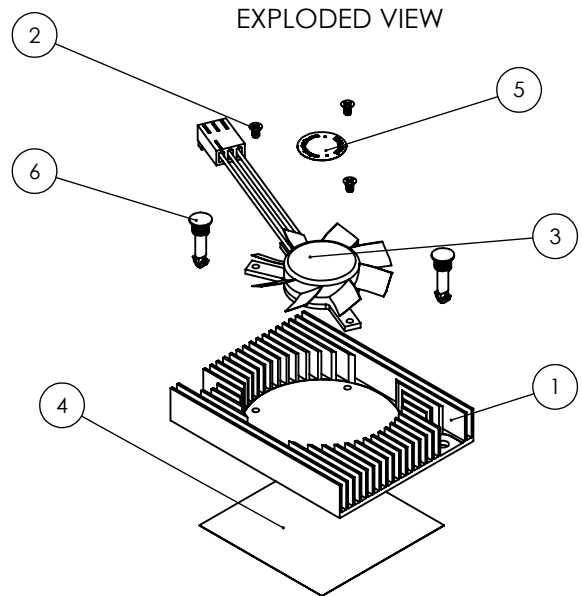


TABLE 1: COMPLETE PART NUMBER WITH OPTIONS

ROOT	PUSH PIN	THERMAL PAD
SZ12L	NONE	NONE OR PXXXX OR 3M8815 (FULL COVERAGE)
	B (BRASS PUSH PIN)-HS8097SP029	NONE OR PXXXX OR P5814 (LAIRD T-MATE 2905c PHASE CHANGE PAD 45.72X45.72MM)
	P (PLASTIC PUSH PIN)-HS8143	
EXAMPLE PART NUMBER: SZ12L+B+P5814		

- NOTES:
- APPLY LOCTITE 222 PURPLE THREADLOCKER TO ITEM 2 BEFORE ASSEMBLING.
 - ITEM 2 CANNOT PROTRUDE BEYOND BOTTOM OF BASE.
 - RADIAN LABEL TO BE PLACED ON TOP OF FAN, VISUAL OF LABEL WILL VARY.
 - MOLEX CONNECTOR 22-01-3037
 - RECOMMENDED HOLE ON PCB:
 - 3.2MM FOR PLASTIC PUSHPIN,
 - 3.0MM FOR BRASS PUSHPIN.
 - FAN MODEL IS FOR ILLUSTRATION ONLY, ACTUAL PART MAY VARY. ROUTE WIRE THROUGH AVAILABLE FIN GAPS.
 - PART TO BE RoHS COMPLIANT.

ITEM NO.	PART NUMBER	DESCRIPTION	QTY.
1	PCI4002	63.37X50X10.5MM ALUMINUM PCI HEAT SINK	1
2	91771A164	18-8 SS #1-72 THREAD FLATHEAD SCREW 1/8" LENGTH	3
3	HS8244	Ø 38MM 12V DC FAN WITH CONNECTOR	1
4	SEE TABLE 1	THERMAL PAD	1
5	HS8249	RADIAN LABEL-12V DC	1
6	SEE TABLE 1	PUSH PIN	2

MATERIAL	APPROVALS	DATE	RADIAN HEATSINKS RADIAN THERMAL PRODUCTS, INC. 2160 WALSH AVE SANTA CLARA, CA 95050
FINISH	DRAWN	2/1/2018	
UNLESS OTHERWISE SPECIFIED DIMENSIONS ARE IN MM TOLERANCES ARE: 1 PLACE DECIMALS: ± 0.25 2 PLACE DECIMALS: ± 0.10 ANGLES: ± 1°	CHECKED	9/19/2018	
	MFG ENG		
THIRD ANGLE PROJECTION	QUAL ENG.		63.37X50X10.5MM AL PCI FANSINK 12V
	SHEET 1 OF 1	SIZE DWG. NO.	REV.
	A	SZ12L	D