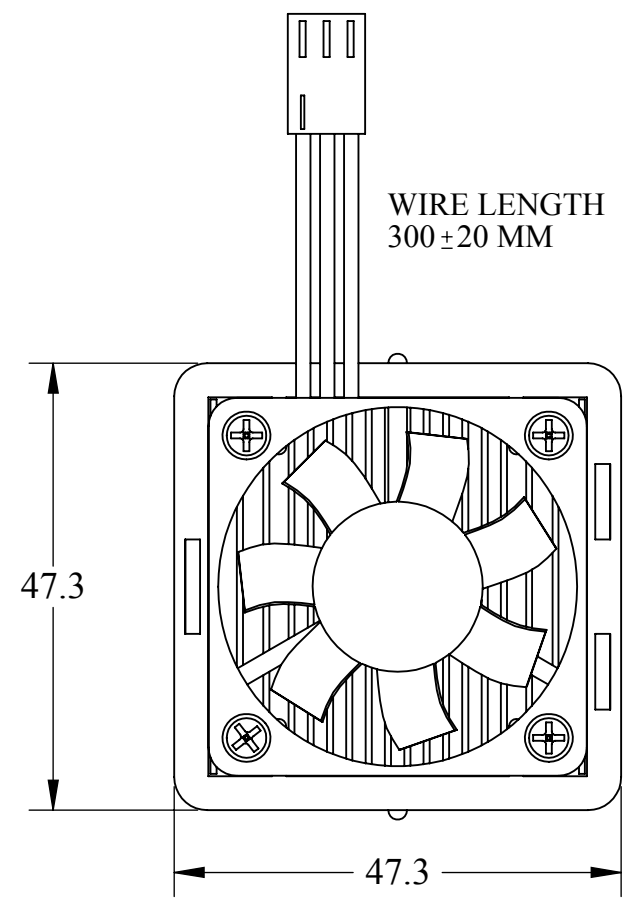
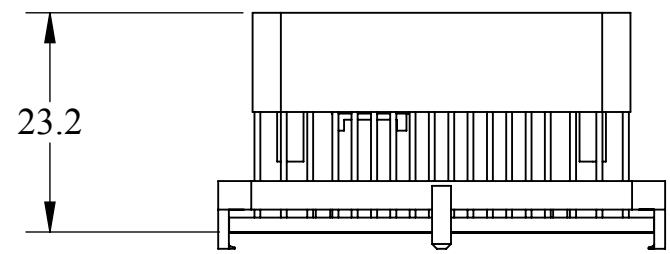
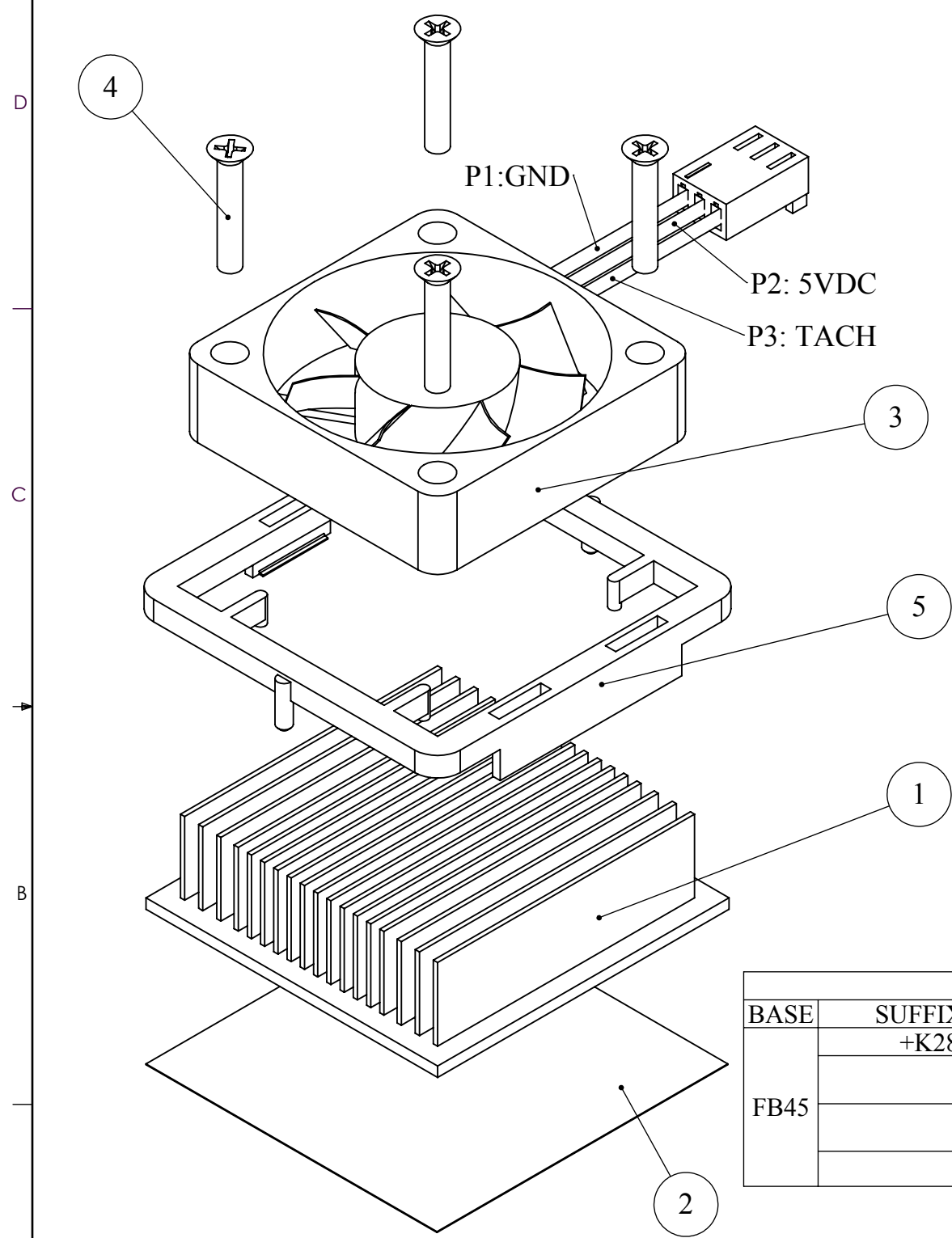
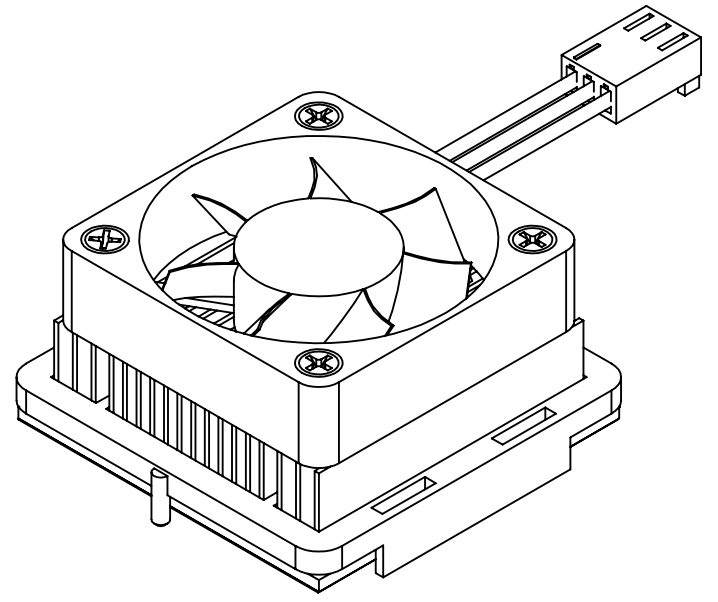


THE INFORMATION CONTAINED IN THIS DRAWING IS THE SOLE PROPERTY OF RADIAN HEAT SINKS AND ANY REPRODUCTION IN PART OR IN WHOLE IS STRICTLY PROHIBITED WITHOUT THE WRITTEN PERMISSION OF RADIAN HEATSINKS.

REVISIONS			
REV.	DESCRIPTION	DATE	APPROVED
A	INITIAL DESIGN	1/13/06	FWANG
B	CHANGED SCREWS	2/15/06	FWANG
C	PER ECN#803141	03/21/08	AREDDY
D	PER ECN#806241	07/08/08	FWANG



- NOTES:
1. DRAWINGS OF FAN AND SCREWS ARE FOR ILLUSTRATION ONLY; ACTUAL PARTS MAY LOOK SLIGHTLY DIFFERENT.
 2. CUSTOMER TO SPECIFY CLIP AND PAD TYPES.
 3. RECOMMENDED MATING CONNECTOR HEADER MOLEX 22-23-2031



COMPLETE PART NUMBER WITH OPTIONS						
BASE	SUFFIX 1	DESCRIPTION	SUFFIX 2	DESCRIPTION	SUFFIX 3	DESCRIPTION
FB45	+K28	K28 EZ-SNAP CLIP	B	RETENTION PEGS ON CLIP IN EXTRUSION DIRECTION	+T710	PHASE CHANGE PAD
					+T405R	TAPE FOR METAL PACKAGES
					+T412	TAPE FOR METAL PACKAGES
					+T411	TAPE FOR PLASTIC PACKAGES

EXAMPLE PART NUMBER: FB45+K28B+T710

ITEM #	PART #	DESCRIPTION	QTY
1	HS1811EB	45 MM EZ-SNAP HEAT SINK	1
2	OPTIONAL	CHOMERICS T710 PAD 45X45 MM	1
3	HS8074	5V 40X40X10MM DC FAN WITH CONNECTOR	1
4	4N62PFBZB	#4 X 5/8" PHIL FLAT SMS RoHS	4
5	OPTIONAL	45 MM EZ-SNAP CLIP	1

UNLESS OTHERWISE SPECIFIED DIMENSIONS ARE IN MM TOLERANCES ARE: DECIMALS X. ±.25 X.X ±.25 X.XX ±.10	CAD GENERATED DRAWING, DO NOT MANUALLY UPDATE	APPROVALS		DATE
		DRAWN	TLAM	07/07/08
		CHECKED	FWANG	07/08/08
		RESP ENG	FWANG	07/08/08
MATERIAL	FINISH	MFG ENG		QUAL ENG
DO NOT SCALE DRAWING	NEXT ASSY USED ON		APPLICATION	

SHEET 1 OF 1

RADIAN HEATSINKS
DIV. OF INTRICAST CO. INC.
2160 WALSH AVE
SANTA CLARA, CA - 95050

45 MM 5V FAN SINK WITH EZ-SNAP CLIP

SIZE B DWG. NO. FB45 REV. D