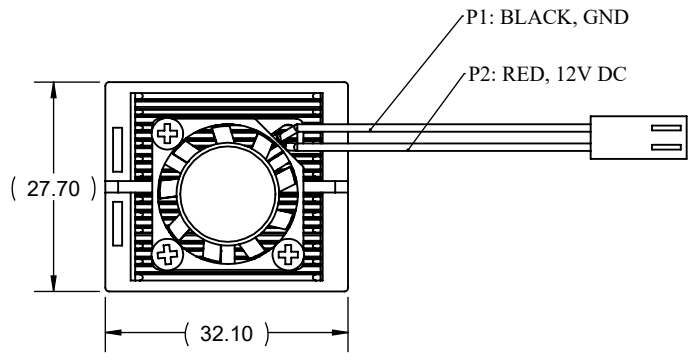
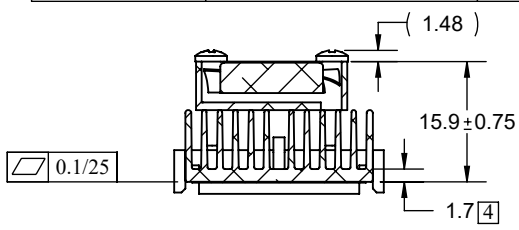
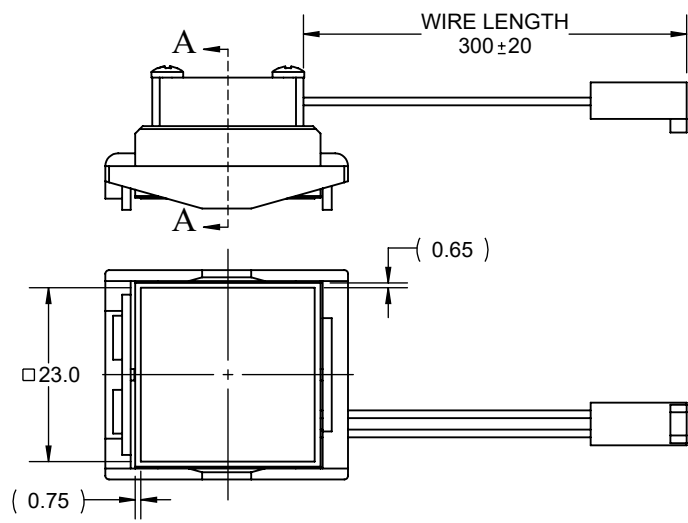
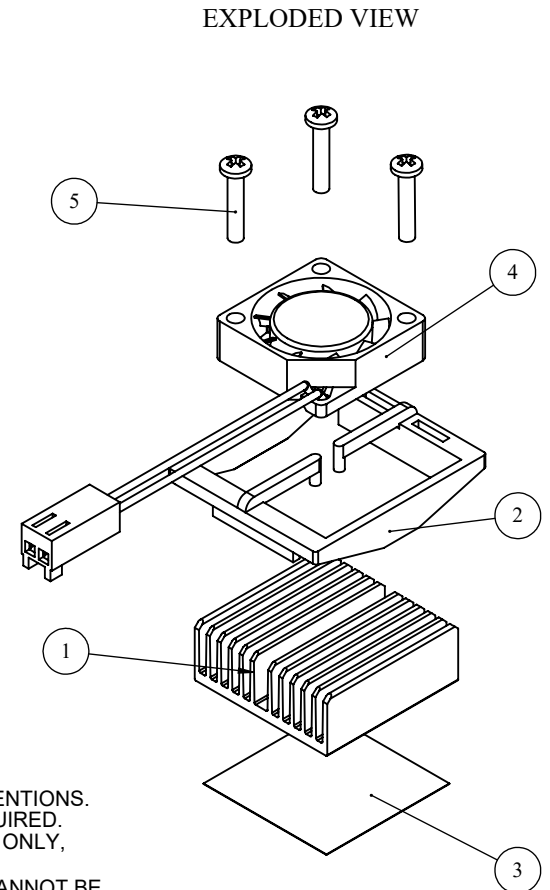


THE INFORMATION CONTAINED IN THIS DRAWING IS THE SOLE PROPERTY OF RADIAN HEATSINKS AND ANY REPRODUCTION IN PART OR IN WHOLE IS STRICTLY PROHIBITED WITHOUT THE WRITTEN PERMISSION OF RADIAN HEATSINKS.

REV	DESCRIPTION	DRAWN	APPROVED	DATE
A	INITIAL RELEASE	WR	JM	10/04/2019



PLEASE NOTE: BASE THICKNESS CAN BE MODIFIED TO ANY THICKNESS BETWEEN 1 TO 1.7 TO ACCOMODATE PRACTICALLY ANY CHIP SIZE. CHIP SIZE DOES NOT INCLUDE SOLDER BALLS HEIGHT.		
CLIP COLORS	MIN - MAX CHIP THICKNESS	
(O) ORANGE	0.9 - 1.4 MM	
(B) BLUE	1.5 - 2.0 MM	
(Y) YELLOW	2.1 - 2.6 MM	
EXAMPLE PART NUMBERS		
PART NUMBER	DESCRIPTION	CHIP THICKNESS RANGE
FI25/1.4+Y+T725	MODIFIED BASE THICKNESS TO 1.4MM. HAS A YELLOW CLIP AND T725 TIM	2.4 - 2.9 MM
FI25+3M8815	HEATSINK AND FAN WITH 3M8815 THERMAL TAPE. NO CLIP REQUIRED.	ANY CHIP SIZE




SECTION A-A

- NOTES:
- CUSTOMER TO SPECIFY COMPLETE PART NUMBER. SEE "EXAMPLE PART NUMBERS" TABLE FOR PART NUMBER CONVENTIONS.
 - IF BASE THICKNESS IS MODIFIED, RE-ANODIZATION NOT REQUIRED.
 - FAN AND SCREWS ARE SHOWN FOR ILLUSTRATION PURPOSE ONLY, ACTUAL PARTS MAY LOOK DIFFERENT.
 - ☐ DEFAULT BASE THICKNESS. IF MODIFICATION IS REQUIRED, CANNOT BE REDUCED TO LESS THAN 1MM.
 - PART TO BE RoHS COMPLIANT.

ITEM NO.	PART NUMBER	DESCRIPTION	QTY.
1	INL25001-10/1.7	25 MM PLATE FIN HEAT SINK	1
2	BCP3228-08(25)COLOR SEE TABLE	25 MM EZ-SNAP CLIP	1
3	OPTIONAL	23X23 PAD OR FULL COVERAGE	1
4	R2006H12S	20 MM 12V DC FAN WITH CONNECTOR	1
5	2N43PPBZB	#2 X 7/16 PHIL PAN SMS BLK (RoHS)	3

UNLESS OTHERWISE SPECIFIED DIMENSIONS ARE IN MM
TOLERANCES ARE:
1 PLACE DECIMALS: ± 0.25
2 PLACE DECIMALS: ± 0.10
ANGLES: ± 1°
THIRD ANGLE PROJECTION

APPROVALS	DATE	 RADIAN HEATSINKS RADIAN THERMAL PRODUCTS, INC. 2160 WALSH AVE SANTA CLARA, CA 95050
DRAWN WRAFAEL	10/4/2019	
CHECKED JMORENO	10/4/2019	25 MM BGA FANSINK
ENGINEER WRAFAEL	10/4/2019	
SHEET 1 OF 1		SIZE DWG. NO. A FI25
		REV. A