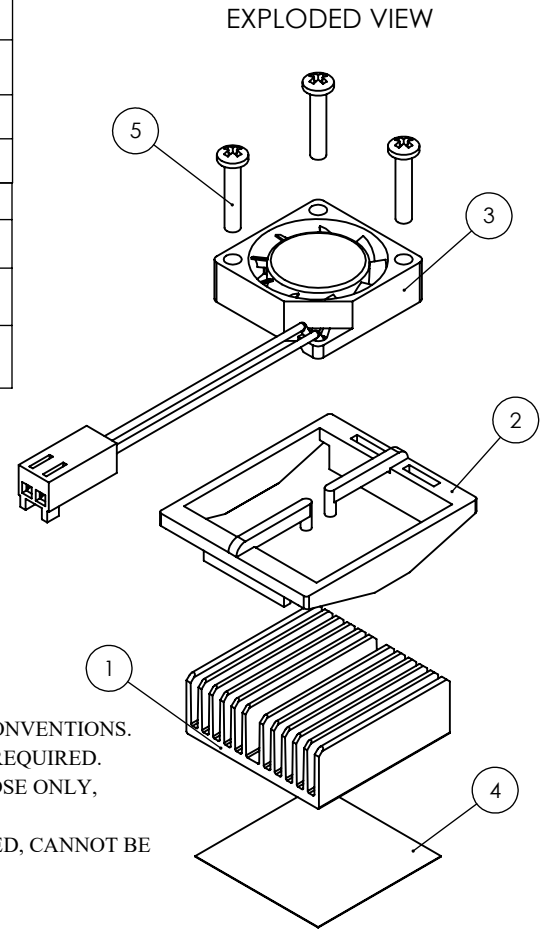
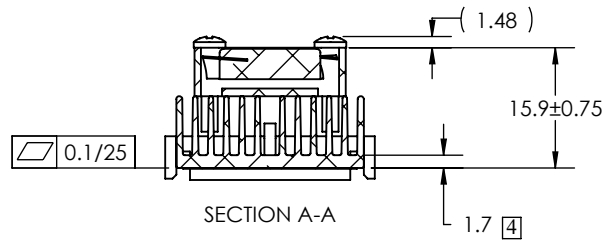
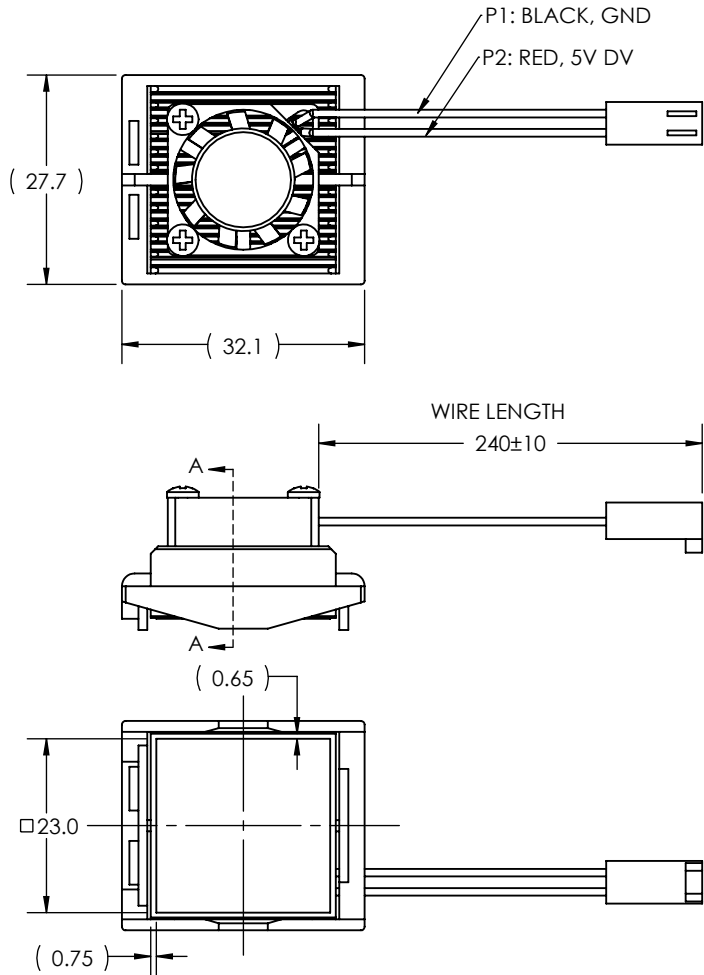


THE INFORMATION CONTAINED IN THIS DRAWING IS THE SOLE PROPERTY OF RADIAN HEATSINKS AND ANY REPRODUCTION IN PART OR IN WHOLE IS STRICTLY PROHIBITED WITHOUT THE WRITTEN PERMISSION OF RADIAN HEATSINKS.

REV	DESCRIPTION	DRAWN	APPROVED	DATE
A	INITIAL RELEASE	KH	WR	10/04/2019

TABLE 1		
PLEASE NOTE: BASE THICKNESS CAN BE MODIFIED TO ANY THICKNESS BETWEEN 1 TO 1.7 TO ACCOMODATE PRACTICALLY ANY CHIP SIZE. CHIP SIZE DOES NOT INCLUDE SOLDER BALLS HEIGHT.		
CLIP COLORS	MIN - MAX CHIP THICKNESS	
(O) ORANGE	0.9 - 1.4 MM	
(B) BLUE	1.5 - 2.0 MM	
(Y) YELLOW	2.1 - 2.6 MM	
EXAMPLE PART NUMBERS		
PART NUMBER	DESCRIPTION	CHIP THICKNESS RANGE
FJ25/1.4+Y+T725	MODIFIED BASE THICKNESS TO 1.4MM, HAS A YELLOW CLIP AND T725 TIM	2.4 - 2.9 MM
FJ25+3M8815	HEATSINK AND FAN WITH 3M8815 THERMAL TAPE. NO CLIP REQUIRED.	ANY CHIP SIZE



NOTES:

- CUSTOMER TO SPECIFY COMPLETE PART NUMBER. SEE "EXAMPLE PART NUMBERS" TABLE FOR PART NUMBER CONVENTIONS.
- IF BASE THICKNESS IS MODIFIED, RE-ANODIZATION NOT REQUIRED.
- FAN AND SCREWS ARE SHOWN FOR ILLUSTRATION PURPOSE ONLY, ACTUAL PARTS MAY LOOK DIFFERENT.
- DEFAULT BASE THICKNESS. IF MODIFICATION IS REQUIRED, CANNOT BE REDUCED TO LESS THAN 1MM.
- PART TO BE RoHS COMPLIANT.

ITEM NO.	PART NUMBER	DESCRIPTION	QTY
1	INL25001-10/1.7	25MM PLATE HEAT SINK	1
2	BCP3228-08(25) COLOR SEE TABLE	25MM EZ SNAP CLIP	1
3	R2006H05S	20MM 5V DC FAN WITH CONNETCOR	1
4	OPTIONAL	23X23 PAD OR FULL COVERAGE	1
5	2N43PPBZB	#2 X 7/16 PHIL PAN SMS BLK (RoHS)	3

MATERIAL	APPROVALS	DATE
FINISH	DRAWN KHSIN	08/30/2019
UNLESS OTHERWISE SPECIFIED DIMENSIONS ARE IN MM TOLERANCES ARE: 1 PLACE DECIMALS: ± 0.25 2 PLACE DECIMALS: ± 0.10 ANGLES: ± 1°	CHECKED WRAFAEL	10/04/2019
THIRD ANGLE PROJECTION	MFG ENG	
	QUAL ENG	
	SHEET 1 OF 1	

 RADIAN HEATSINKS RADIAN THERMAL PRODUCTS, INC. 2160 WALSH AVE SANTA CLARA, CA 95050	SIZE	DWG. NO.	REV.
	A	FJ25	A