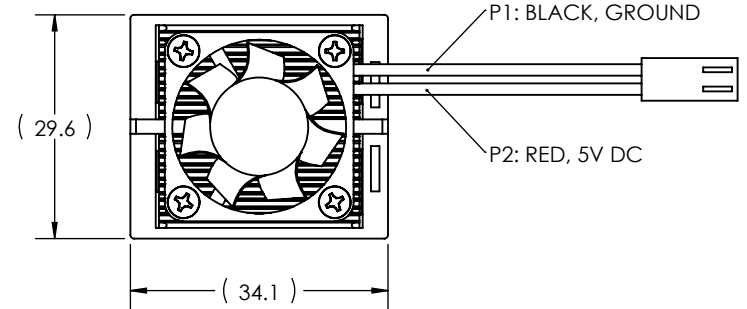
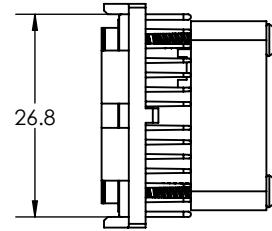
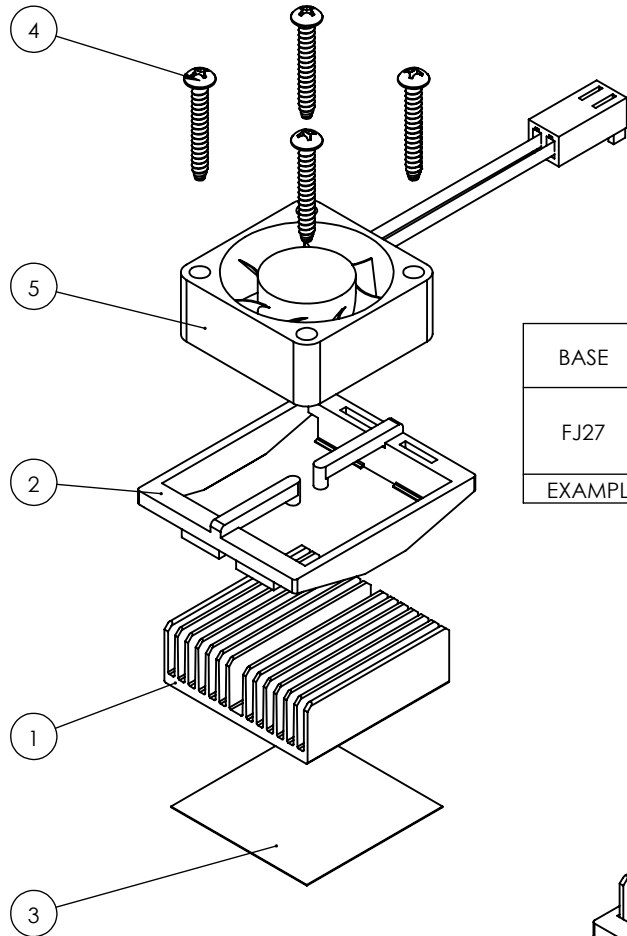


THE INFORMATION CONTAINED IN THIS DRAWING IS THE SOLE PROPERTY OF RADIAN HEATSINKS AND ANY REPRODUCTION IN PART OR IN WHOLE IS STRICTLY PROHIBITED WITHOUT THE WRITTEN PERMISSION OF RADIAN HEATSINKS.

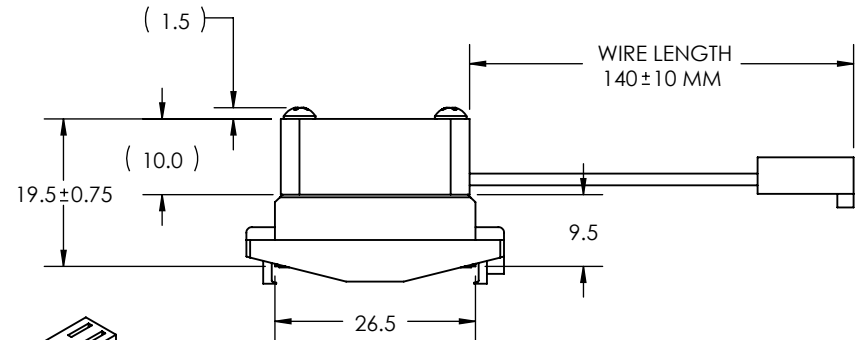
REV	DESCRIPTION	APPROVED	DATE
E	ECN912071: CHANGED TO 2-WIRE BB FAN	FWANG	12/7/09
F	ECN010261: CHANGED SCREW'S DISCRPTION	FWANG	10/26/10
G	ECN412101: REPLACED FAN AND SCREW	SCAO	3/10/15

EXPLODED VIEW

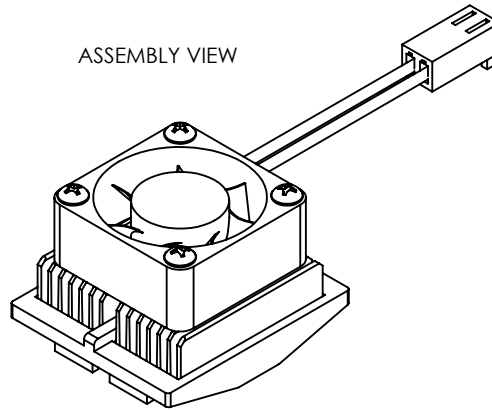


BASE	CLIP COLOR 'C'	THERMAL PAD
FJ27	+Y	+T725
	+BU	+LI98
	+O	+OTHER

EXAMPLE PART NUMBER: FJ27+Y+T725



ASSEMBLY VIEW



NOTES:

- ASSEMBLE FAN AND CLIP IN THE EXACT ORIENTATION AS SHOWN.
- CUSTOMER TO SPECIFY CLIP AND PAD TYPES.
- RECOMMENDED MATING CONNECTOR HEADER: MOLEX 22-23-2021.
- PART TO BE RoHS COMPLIANT.

ITEM NO.	PART NUMBER	DESCRIPTION	QTY.
1	INL27001-10/1.7	27MM LOW-PROFILE BGA HEATSINK	1
2	BCP3530-08(27)c	27 MM LOW PROFILE CLIP (SEE TABLE FOR CHOICE)	1
3	OPTIONAL	THERMAL PAD 25.4 X 25.4 MM OR FULL COVERAGE	1
4	2N62PPBS	#2 X 5/8 PHIL PAN TYPE B SMS SST (RoHS)	4
5	HS8191	25MM 5V DC FAN WITH CONNECTOR	1

MATERIAL	APPROVALS	DATE
FINISH	DRAWN FWANG	12/7/09
UNLESS OTHERWISE SPECIFIED DIMENSIONS ARE IN MM TOLERANCES ARE: 1 PLACE DECIMALS: ± 0.20 2 PLACE DECIMALS: ± 0.10 ANGLES: ± 1°	CHECKED FWANG	12/7/09
	MFG ENG	
	QUAL ENG.	
THIRD ANGLE PROJECTION	SHEET 1 OF 1	



RADIAN HEATSINKS
RADIAN THERMAL PRODUCTS, INC.
2160 WALSH AVE
SANTA CLARA, CA 95050

27 MM 5V DC FAN SINK WITH LOW PROFILE EZ-SNAP CLIP

SIZE DWG. NO.

A FJ27

REV. G