

THE INFORMATION CONTAINED IN THIS DRAWING IS THE SOLE PROPERTY OF RADIAN HEATSINKS AND ANY REPRODUCTION IN PART OR IN WHOLE IS STRICTLY PROHIBITED WITHOUT THE WRITTEN PERMISSION OF RADIAN HEATSINKS.

REV	DESCRIPTION	DRAWN	APPROVED	DATE
A	INITIAL RELEASE	AV	AM	10/9/2018

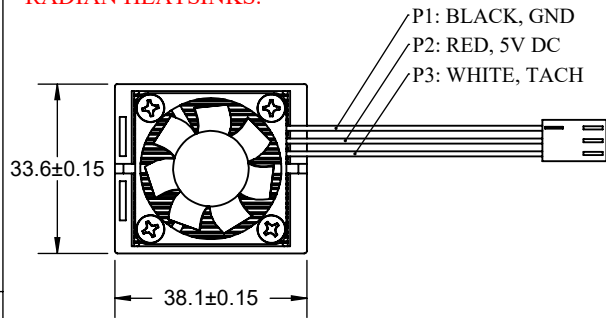
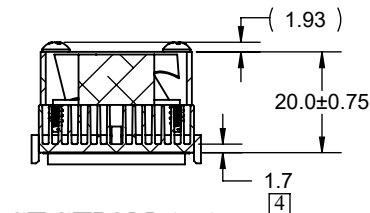
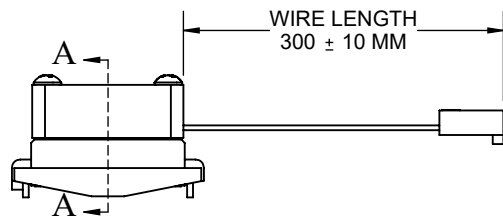
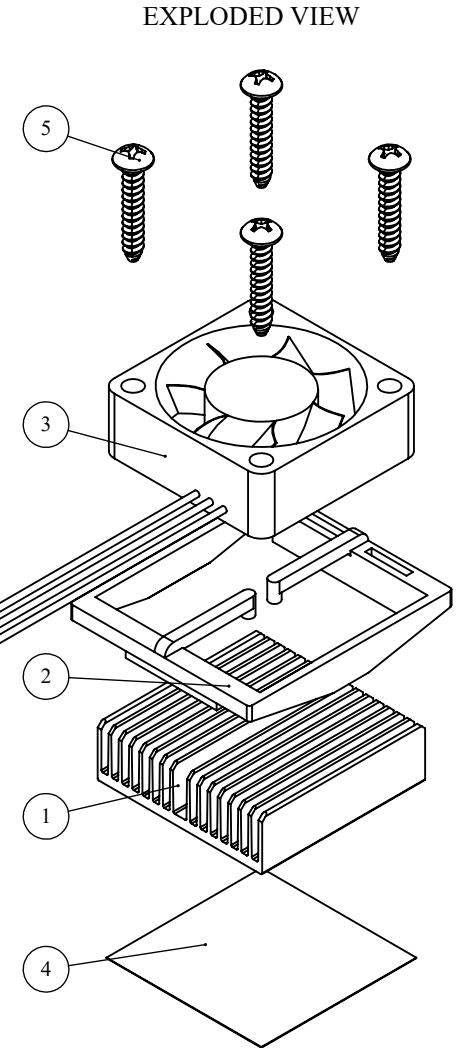


TABLE 1	
PLEASE NOTE: BASE THICKNESS CAN BE MODIFIED TO ANY THICKNESS BETWEEN 1 TO 1.7 TO ACCOMODATE PRACTICALLY ANY CHIP SIZE.	
CLIP COLORS	MIN - MAX CHIP THICKNESS
(O) ORANGE	.78 - 1.38 MM
(B) BLUE	1.38 - 1.98 MM
(Y) YELLOW	1.98 - 2.58 MM

CHIP THICKNESS EXCLUDES BALL SIZE

EXAMPLE PART NUMBERS		
PART NUMBER	DESCRIPTION	CHIP THICKNESS RANGE
FJ31/1.4+Y+T725	MODIFIED BASE THICKNESS TO 1.4MM. HAS A YELLOW CLIP AND T725 TIM	2.28 - 2.88 MM
FJ31+3M8815	HEATSINK AND FAN WITH 3M8815 THERMAL TAPE. NO CLIP REQUIRED.	ANY CHIP SIZE



SECTION A-A

- NOTES:
- CUSTOMER TO SPECIFY COMPLETE PART NUMBER. SEE "EXAMPLE PART NUMBERS" TABLE FOR PART NUMBER CONVENTIONS.
 - IF BASE THICKNESS IS MODIFIED, RE-ANODIZATION NOT REQUIRED.
 - FAN AND SCREWS ARE SHOWN FOR ILLUSTRATION PURPOSE ONLY, ACTUAL PART MAY LOOK DIFFERENT.
 - DEFAULT BASE THICKNESS. IF MODIFICATION IS REQUIRED, CANNOT BE REDUCED TO LESS THAN 1MM.
 - PART TO BE RoHS COMPLIANT.

ITEM NO.	PART NUMBER	DESCRIPTION	QTY.
1	INL31001-10/1.7	31 MM PLATE FIN HEAT SINK	1
2	BCP3834-08(31)COLOR SEE TABLE 1	31MM EZ SNAP CLIP	1
3	HS8108	30MM 5V DC FAN WITH CONNECTOR	1
4	OPTIONAL	29X29MM PAD OR FULL COVERAGE	1
5	4N62PPBZB	#4 X 3/4 PHIL PAN TYPE B SMS BLK (RoHS)	4

MATERIAL	APPROVALS	DATE
FINISH	DRAWN	10/3/2018
	AVALLE	
	CHECKED	10/9/2018
	AMASTO	
	ENGINEER	10/3/2018
	AVALLE	
	QUAL-ENG	
UNLESS OTHERWISE SPECIFIED DIMENSIONS ARE IN MM TOLERANCES ARE: 1 PLACE DECIMALS: ± 0.25 2 PLACE DECIMALS: ± 0.10 ANGLES: ± 1°		
THIRD ANGLE PROJECTION		

RADIAN HEATSINKS
RADIAN THERMAL PRODUCTS, INC.
2160 WALSH AVE
SANTA CLARA, CA 95050

31MM BGA FANSINK

SIZE DWG. NO. A
SHEET 1 OF 1
FJ31