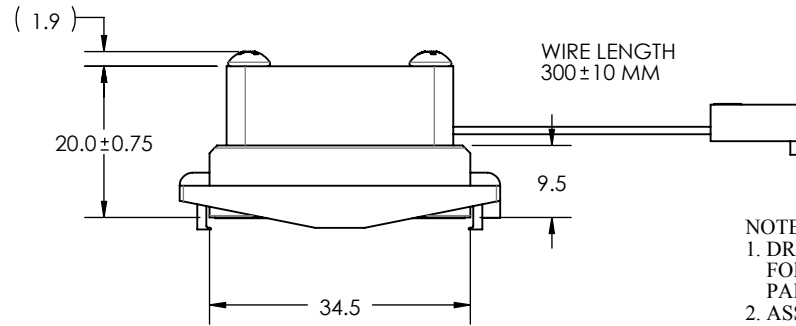
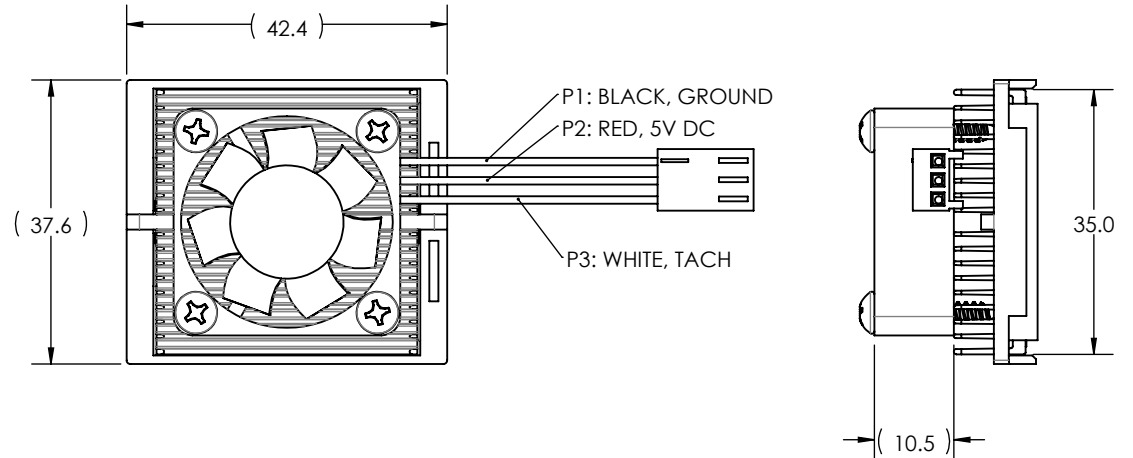
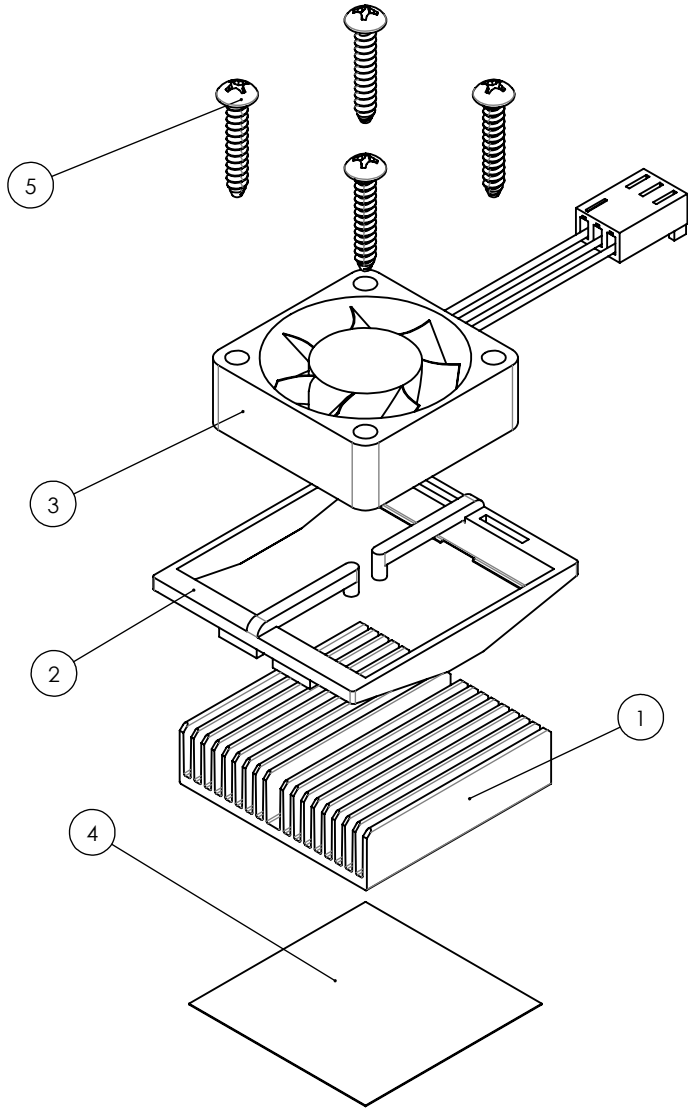


THE INFORMATION CONTAINED IN THIS DRAWING IS THE SOLE PROPERTY OF RADIAN HEATSINKS AND ANY REPRODUCTION IN PART OR IN WHOLE IS STRICTLY PROHIBITED WITHOUT THE WRITTEN PERMISSION OF RADIAN HEATSINKS.

REV	DESCRIPTION OF REVISIONS	APPROVED	DATE
A	INITIAL RELEASE	FWANG	4/2/09
B	ECN203212: CHANGED HEAT SINK ASSEMBLY CALL OUT IN BOM, ADDED CLIP OPTION TABLE	SCAO	03/21/12
C	ECN1506111: REPLACE FAN HS8075 WITH HS8108 AND SCREW	SCAO	6/11/15
D	ECN1507012: EXCHANGED PIN P1 WITH PIN P3	SCAO	6/30/15

EXPLODED VIEW




- NOTES:
- DRAWINGS OF FAN AND SCREWS ARE FOR ILLUSTRATION ONLY; ACTUAL PARTS MAY LOOK SLIGHTLY DIFFERENT.
 - ASSEMBLE FAN AND CLIP TO THE EXACT ORIENTATION AS SHOWN.
 - CUSTOMER TO SPECIFY CLIP AND PAD TYPES.
 - RECOMMENDED MATING CONNECTOR HEADER MOLEX 22-23-2031
 - PART TO BE RoHS COMPLIANT.

BASE	CLIP COLOR 'c'	THERMAL PAD
FJ35	+Y	+T725
	+BU	
	+O	+OTHER

EXAMPLE PART NUMBER: FJ35+Y+T725

ITEM NO.	PART NUMBER	DESCRIPTION	QTY.
1	INL35001-10/1.7	35 MM PLATE FIN HEAT SINK	1
2	BCP4238-08(35)c	OPTIONAL 35MM LOW PROFILE CLIP (SEE TABLE ON THE RIGHT FOR CLIP CODE c)	1
3	HS8108	30MM 5V DC FAN WITH CONNECTOR	1
4	OPTIONAL	THERMAL PAD 33 X 33MM OR FULL COVERAGE	1
5	4N62PPBZB	#4 X 5/8 PHIL PAN TYPE B SMS BLK (RoHS)	4

MATERIAL	APPROVALS	DATE	 RADIAN HEATSINKS RADIAN THERMAL PRODUCTS, INC. 2160 WALSH AVE SANTA CLARA, CA 95050
FINISH	DRAWN	4/2/09	
UNLESS OTHERWISE SPECIFIED DIMENSIONS ARE IN MM TOLERANCES ARE: 1 PLACE DECIMALS: ± 0.25 2 PLACE DECIMALS: ± 0.10 ANGLES: ± 1°	CHECKED	4/2/09	
	MFG ENG		
	QUAL ENG.		
THIRD ANGLE PROJECTION	SHEET 1 OF 1		SIZE DWG. NO. A FJ35
			REV. D