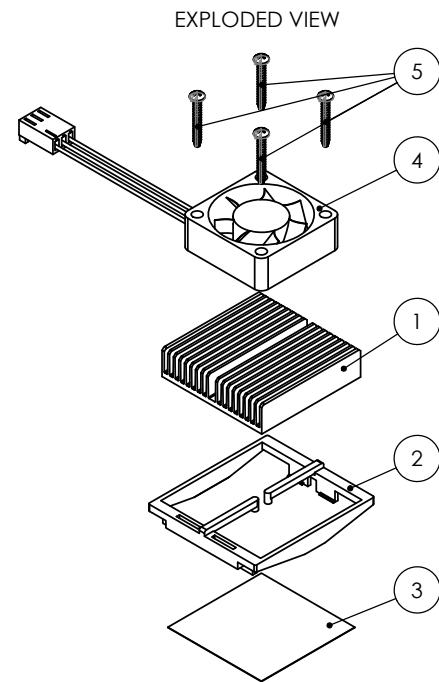
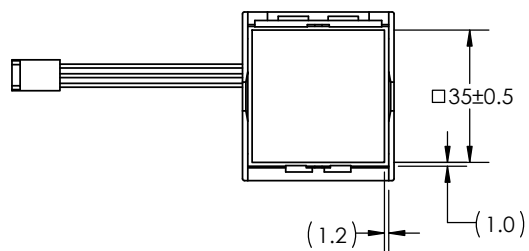
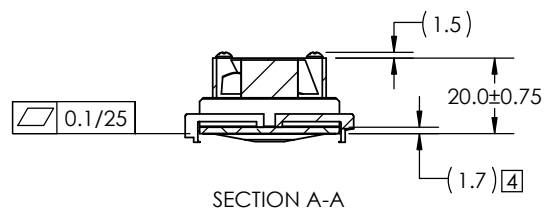
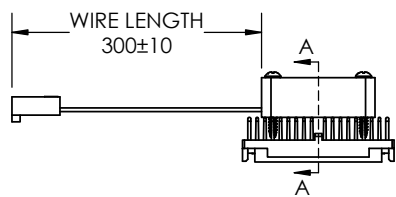
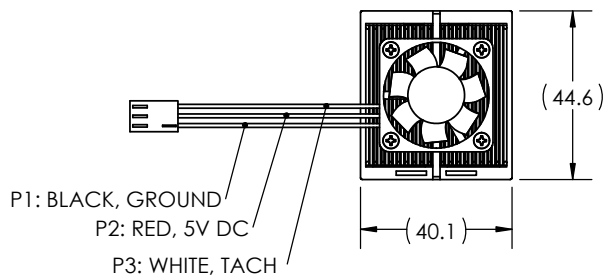


THE INFORMATION CONTAINED IN THIS DRAWING IS THE SOLE PROPERTY OF RADIAN HEATSINKS AND ANY REPRODUCTION IN PART OR IN WHOLE IS STRICTLY PROHIBITED WITHOUT THE WRITTEN PERMISSION OF RADIAN HEATSINKS.

REV	DESCRIPTION	DRAWN	APPROVED	DATE
A	INITIAL RELEASE	LC	KP	5/9/2023

TABLE 1		
PLEASE NOTE: BASE THICKNESS CAN BE MODIFIED TO ANY THICKNESS BETWEEN 1 TO 1.7 TO ACCOMODATE PRACTICALLY ANY CHIP SIZE. CHIP SIZE DOES NOT INCLUDE SOLDER BALLS HEIGHT.		
CLIP COLORS	MIN - MAX CHIP THICKNESS	
(O) ORANGE	0.9 - 1.4 mm	
(B) BLUE	1.5 - 2.0 mm	
(Y) YELLOW	2.1 - 2.6 mm	
EXAMPLE PART NUMBERS		
PART NUMBER	DESCRIPTION	CHIP THICKNESS RANGE
FJ37.5/1.4+Y+T725	MODIFIED BASE THICKNESS TO 1.4mm. HAS A YELLOW CLIP AND T725 TIM	2.4 - 2.9 mm
FJ37.5+3M8815	HEATSINK AND FAN WITH 3M8815 THERMAL TAPE. NO CLIP REQUIRED.	ANY CHIP SIZE



- NOTES: (UNLESS OTHERWISE SPECIFIED)
- CUSTOMER TO SPECIFY COMPLETE PART NUMBER. SEE "EXAMPLE PART NUMBERS" TABLE FOR PART NUMBER CONVENTIONS.
 - IF BASE THICKNESS IS MODIFIED, RE-ANODIZATION NOT REQUIRED.
 - FAN AND SCREWS ARE SHOWN FOR ILLUSTRATION PURPOSE ONLY, ACTUAL PARTS MAY LOOK DIFFERENT.
 - 4] DEFAULT BASE THICKNESS. IF MODIFICATION IS REQUIRED, CANNOT BE REDUCED TO LESS THAN 1mm.
 - PART SHALL BE RoHS COMPLIANT.

ITEM NO.	PART NUMBER	DESCRIPTION	QTY.
1	INL37.5001-10/1.7	37.5mm PLATE FIN HEAT SINK	1
2	BCP4540-08(37.5)COLOR	OPTIONAL 37.5mm LOW PROFILE CLIP	1
3	OPTIONAL	THERMAL PAD 35X35mm OR FULL COVERAGE	1
4	HS8108	30mm 5V DC FAN WITH CONNECTOR	1
5	2N62PPBS	#2 X 5/8 STAINLESS STEEL SELF TAPPING SCREW OR EQUIVALENT	4

UNLESS OTHERWISE SPECIFIED DIMENSIONS ARE IN mm
TOLERANCES ARE:
1 PLACE DECIMALS: ± 0.25
2 PLACE DECIMALS: ± 0.10
ANGLES: ± 1°
THIRD ANGLE PROJECTION

APPROVALS	DATE
DRAWN LCAPILI	04/19/2023
CHECKED KPINHEIRO	04/19/2023
ENGINEER LCAPILI	04/19/2023

RADIAN HEATSINKS
RADIAN THERMAL PRODUCTS, INC.
2160 WALSH AVE
SANTA CLARA, CA 95050

**37.5 mm 5V DC FANSINK
WITH LOW PROFILE EZ-SNAP CLIP**

SIZE DWG. NO. **FJ37.5** REV. **A**