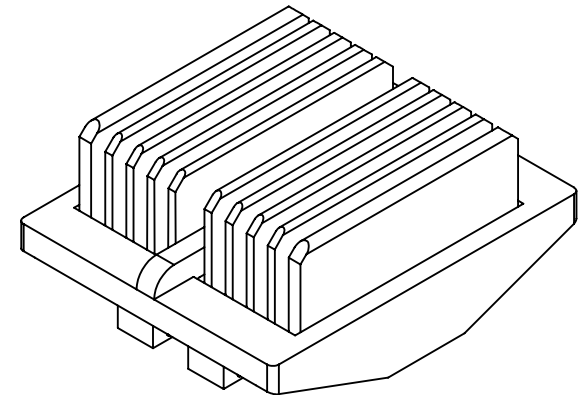
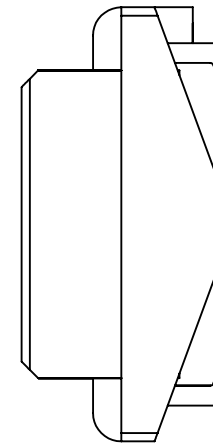
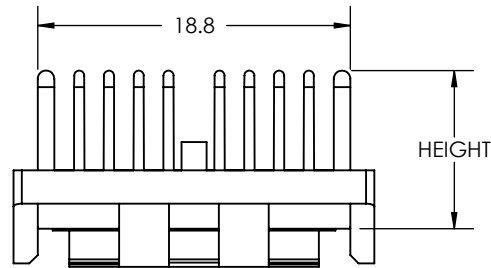
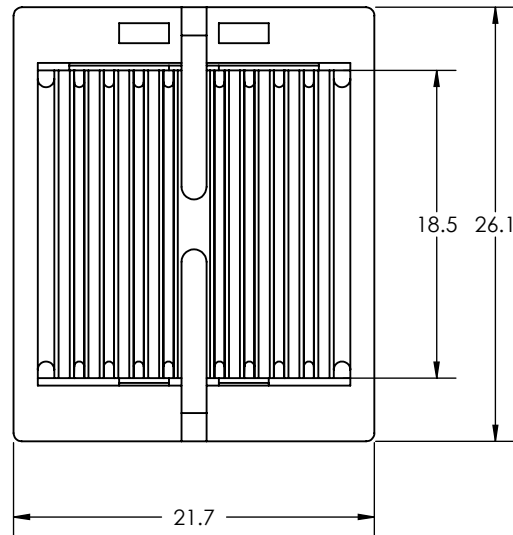
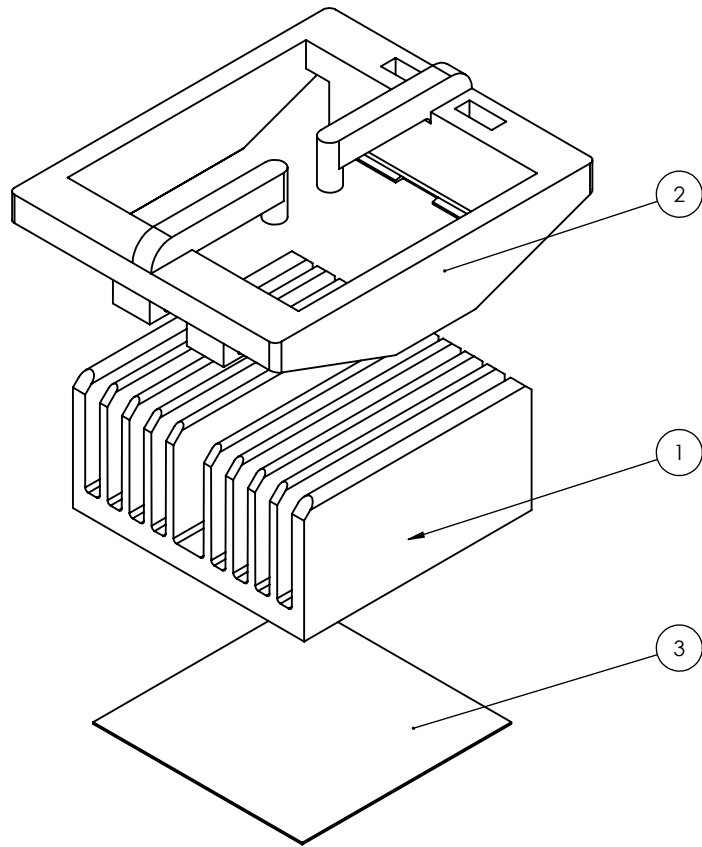


THE INFORMATION CONTAINED IN THIS DRAWING IS THE SOLE PROPERTY OF RADIAN HEATSINKS AND ANY REPRODUCTION IN PART OR IN WHOLE IS STRICTLY PROHIBITED WITHOUT THE WRITTEN PERMISSION OF RADIAN HEATSINKS.

REV	DESCRIPTION OF REVISIONS	APPROVED	DATE
A	INITIAL RELEASE	FWANG	03/12/07
B	PER ECN#706251	FWANG	06/25/07
C	PER ECN#707251	FWANG	07/25/07
D	PER ECN#005051	FWANG	05/06/10

EXPLODED VIEW



ITEM NO.	PART NUMBER	DESCRIPTION	QTY.
1	INL19001-hh/1.7	19MM PLATE FIN HEAT SINK	1
2	BCP2622-08(19)c	OPTIONAL 19MM LOW PROFILE CLIP	1
3	OPTIONAL	THERMAL PAD 17 X 17MM OR FULL COVERAGE OF HEAT SINK BASE	1

NOTE: SEE TABLE BELOW FOR COMPLETE PART NUMBER WITH OPTIONS.

COMPLETE PART NUMBER WITH OPTIONS

ROOT	HEIGHT	BASE	CLIP	PAD
INL19001-	6 (6.3 MM)	/1.7 (1.7 MM)	Y (YELLOW)	+T725
	10 (9.5 MM)		BU (BLUE)	
	13 (12.7 MM)		O (ORANGE)	
EXAMPLE PART NUMBER: INL19001-10/1.7BU+T725				

<del>MATERIAL</del>	APPROVALS	DATE
<del>FINISH</del>	DRAWN AREDDY	03/12/07
UNLESS OTHERWISE SPECIFIED DIMENSIONS ARE IN MM TOLERANCES ARE: 0-1 PLACE DECIMALS: ± .25 2 PLACE DECIMALS: ± .10 ANGLES: ± 1°	CHECKED FWANG	03/12/07
	<del>MFG ENG</del>	
	<del>QUAL ENG.</del>	
	THIRD ANGLE PROJECTION	
SHEET 1 OF 1		



**RADIAN HEATSINKS**  
DIV. OF INTRICAST CO. INC.  
2160 WALSH AVE  
SANTA CLARA, CA 95050

19MM LOW PROFILE  
HEAT SINK ASSEMBLY

SIZE DWG. NO.	REV.
A INL19001	D