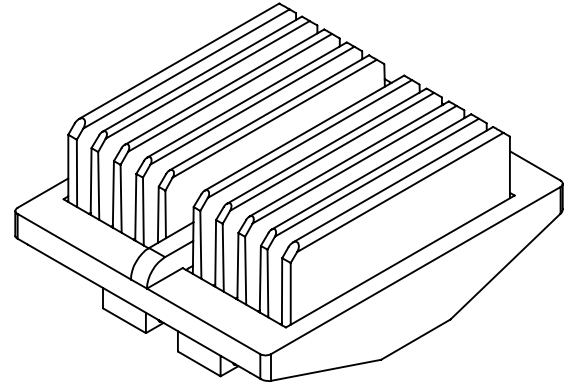
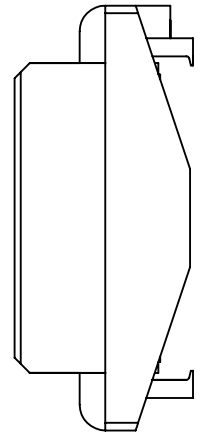
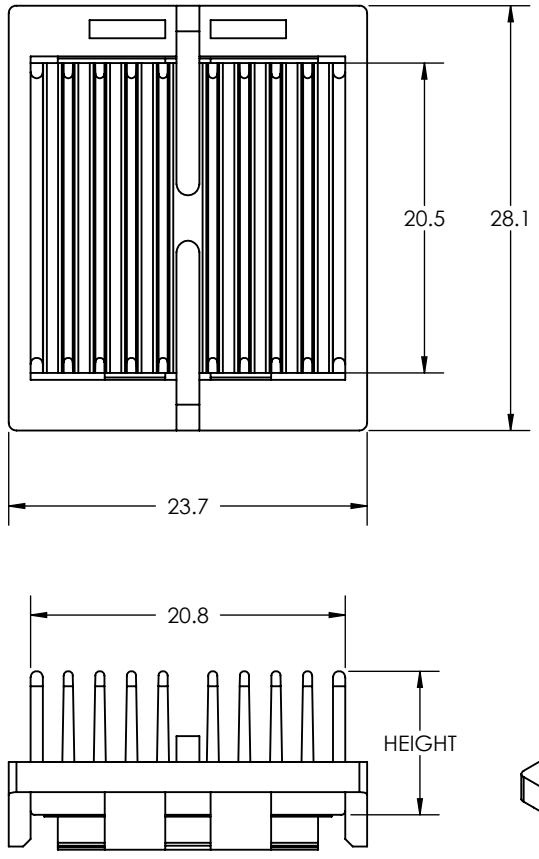
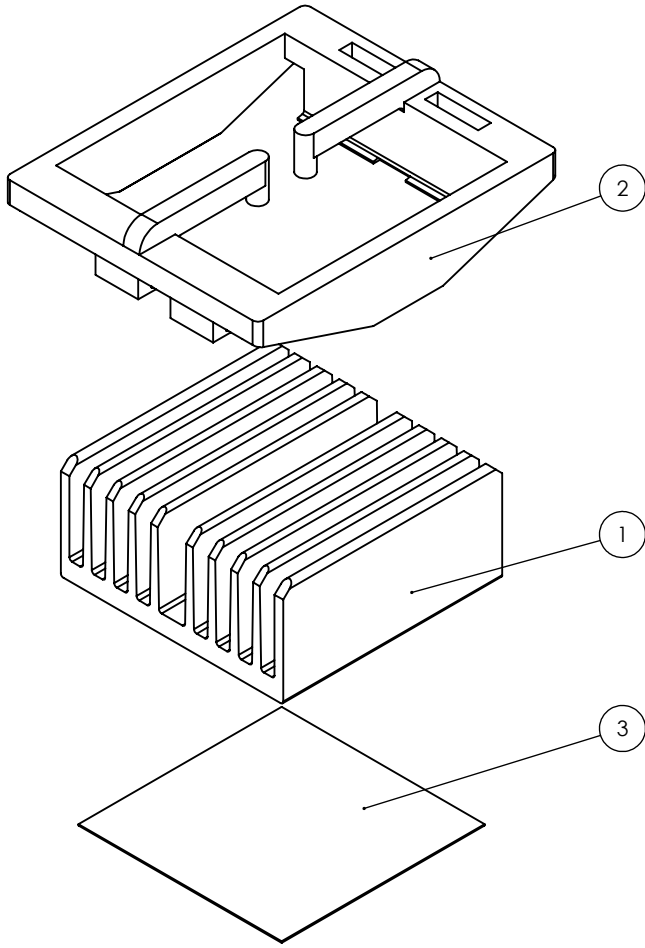


THE INFORMATION CONTAINED IN THIS DRAWING IS THE SOLE PROPERTY OF RADIAN HEATSINKS AND ANY REPRODUCTION IN PART OR IN WHOLE IS STRICTLY PROHIBITED WITHOUT THE WRITTEN PERMISSION OF RADIAN HEATSINKS.

REV	DESCRIPTION OF REVISIONS	APPROVED	DATE
A	INITIAL RELEASE	FWANG	03/12/07
B	PER ECN#706251	FWANG	06/25/07
C	PER ECN#707251	FWANG	07/25/07
D	PER ECN#005051	FWANG	05/06/10

EXPLODED VIEW




ITEM NO.	PART NUMBER	DESCRIPTION	QTY.
1	INL21001-hb/1.7	21MM PLATE FIN HEAT SINK	1
2	BCP2824-08(21)c	OPTIONAL 21MM LOW PROFILE CLIP	1
3	OPTIONAL	THERMAL PAD 19 X 19 MM OR FULL COVERAGE OF HEAT SINK BASE	1

NOTE: SEE TABLE BELOW FOR COMPLETE PART NUMBER WITH OPTIONS.

COMPLETE PART NUMBER WITH OPTIONS				
ROOT	HEIGHT	BASE	CLIP	PAD
INL21001-	6 (6.3 MM)	/1.7 (1.7 MM)	Y (YELLOW)	+T725
	10 (9.5 MM)		BU (BLUE)	
	13 (12.7 MM)		O (ORANGE)	
EXAMPLE PART NUMBER: INL21001-10/1.7BU+T725				

<del>MATERIAL</del>	APPROVALS	DATE
<del>FINISH</del>	DRAWN	03/12/07
UNLESS OTHERWISE SPECIFIED DIMENSIONS ARE IN MM TOLERANCES ARE: 0-1 PLACE DECIMALS: ± .25 2 PLACE DECIMALS: ± .10 ANGLES: ± 1°	CHECKED	FWANG
	03/12/07	
	<del>MFG ENG</del>	
	<del>QUAL ENG.</del>	
THIRD ANGLE PROJECTION	SHEET 1 OF 1	

 <b>RADIAN HEATSINKS</b> DIV. OF INTRICAST CO. INC. 2160 WALSH AVE SANTA CLARA, CA 95050	21MM LOW PROFILE HEAT SINK ASSEMBLY	
	SIZE	DWG. NO.
A	INL21001	REV. D