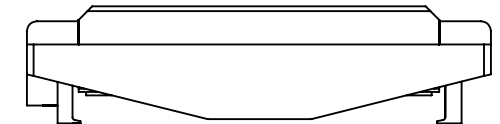
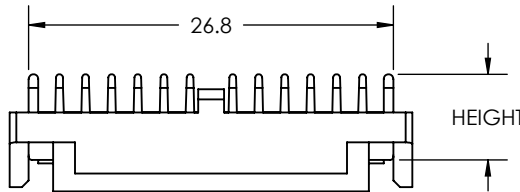
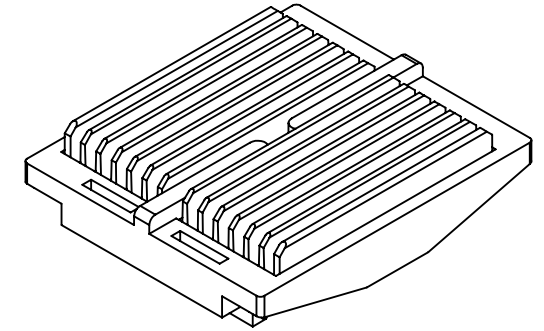
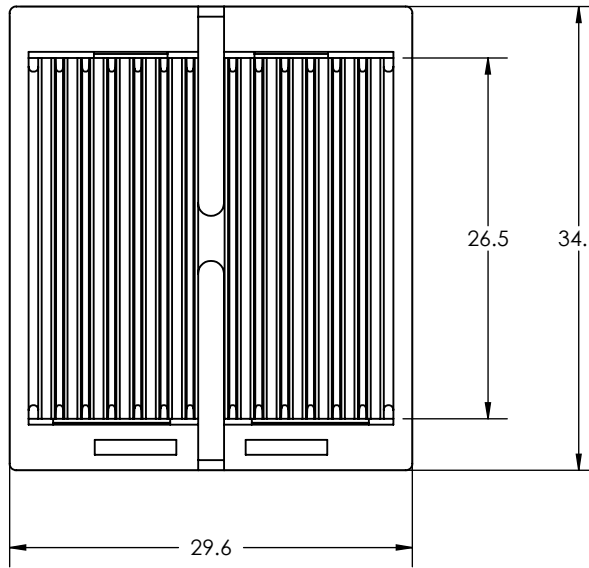
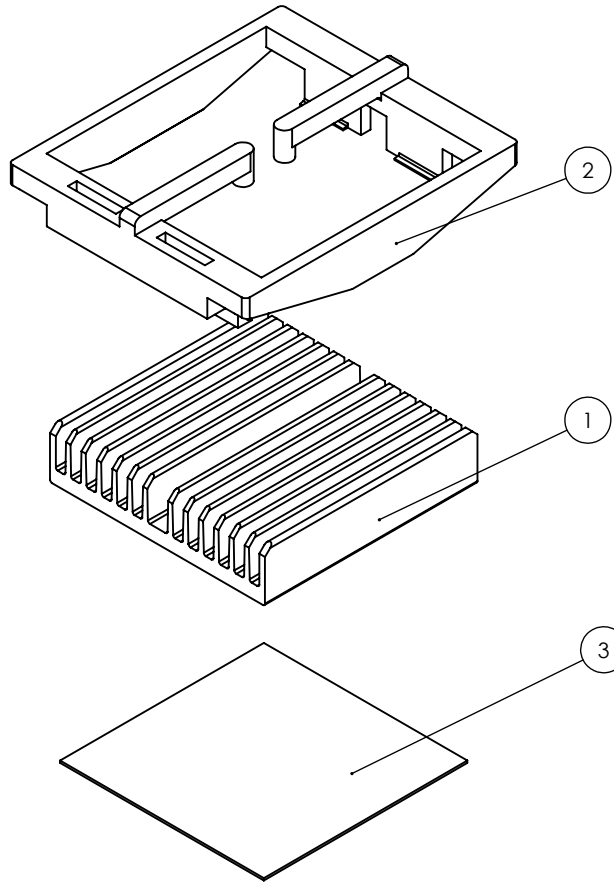


THE INFORMATION CONTAINED IN THIS DRAWING IS THE SOLE PROPERTY OF RADIAN HEATSINKS AND ANY REPRODUCTION IN PART OR IN WHOLE IS STRICTLY PROHIBITED WITHOUT THE WRITTEN PERMISSION OF RADIAN HEATSINKS.

REV	DESCRIPTION OF REVISIONS	APPROVED	DATE
A	INITIAL RELEASE	FWANG	01/29/07
B	PER ECN#706251	FWANG	06/25/07
C	PER ECN#707251	FWANG	07/25/07
D	PER ECN#005051	FWANG	05/05/10

EXPLODED VIEW




NOTE: SEE THE TABLE IN THE RIGHT FOR COMPLETE PART NUMBER WITH OPTIONS

ITEM NO	PART NUMBER	DESCRIPTION	QTY
1	INL27001-hh/1.7	27MM PLATE FIN HEATSINK	1
2	BCP3530-08(27)c	OPTIONAL 27MM LOW PROFILE CLIP	1
3	OPTIONAL	THERMAL PAD 25 X 25MM OR FULL COVERAGE OF HEAT SINK BASE	1

COMPLETE PART NUMBER WITH OPTIONS				
ROOT	HEIGHT	BASE	CLIP	PAD
INL27001-	6 (6.3 MM)	/1.7 (1.7 MM)	Y (YELLOW)	+T725
	10 (9.5 MM)		BU (BLUE)	
	13 (12.7 MM)		O (ORANGE)	+OTHER

EXAMPLE PART NUMBER: INL27001-10/1.7BU+T725

MATERIAL	APPROVALS	DATE	 <b>RADIAN HEATSINKS</b> DIV. OF INTRICAST CO. INC. 2160 WALSH AVE SANTA CLARA, CA 95050	
FINISH	DRAWN	01/18/07		
UNLESS OTHERWISE SPECIFIED DIMENSIONS ARE IN MM TOLERANCES ARE: 0-1 PLACE DECIMALS: ± .25 2 PLACE DECIMALS: ± .10 ANGLES: ± 1°	CHECKED	FWANG		01/29/07
	THIRD ANGLE PROJECTION	MFG ENG QUAL ENG		
SHEET 1 OF 1			SIZE DWG. NO. A INL27001	REV. D