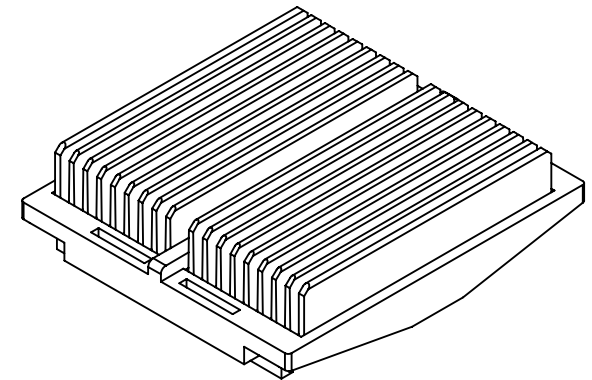
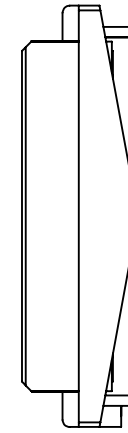
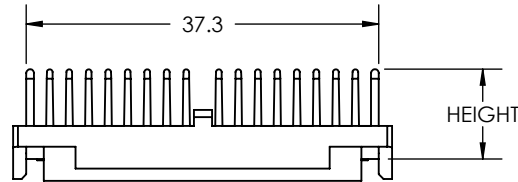
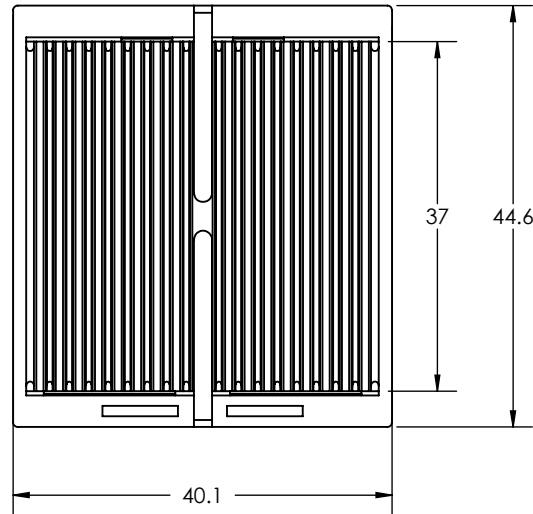
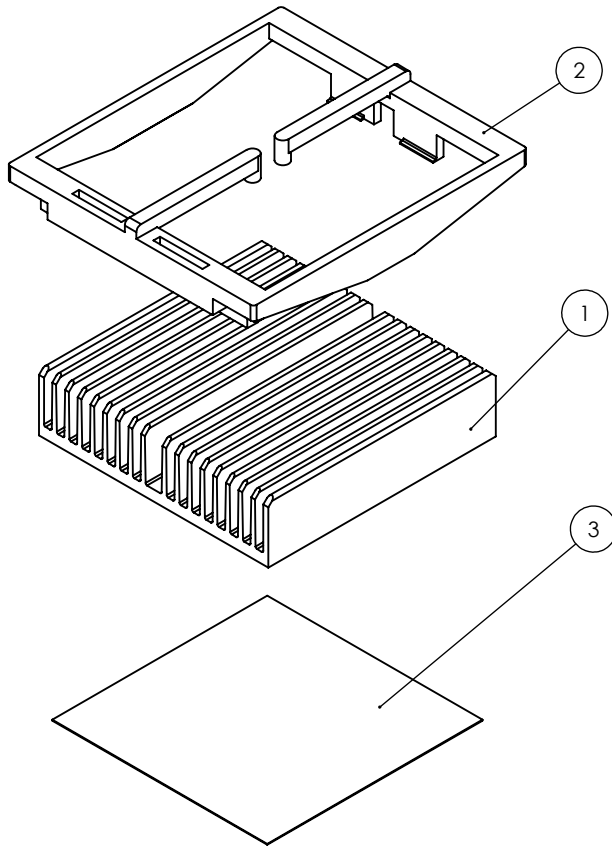


THE INFORMATION CONTAINED IN THIS DRAWING IS THE SOLE PROPERTY OF RADIAN HEATSINKS AND ANY REPRODUCTION IN PART OR IN WHOLE IS STRICTLY PROHIBITED WITHOUT THE WRITTEN PERMISSION OF RADIAN HEATSINKS.

REV	DESCRIPTION OF REVISIONS	APPROVED	DATE
A	INITIAL RELEASE	FWANG	1/27/07
B	PER ECN#706251	FWANG	06/25/07
C	PER ECN#707251	FWANG	07/25/07
D	PER ECN#005051	FWANG	05/06/10

EXPLODED VIEW



ITEM NO	PART NO	DESCRIPTION	QTY
1	INL37.5001-hh/1.7	37.5MM PLATE FIN HEAT SINK	1
2	BCP4540-08(37.5)c	OPTIONAL 37.5 MM LOW PROFILE CLIP	1
3	OPTIONAL	THERMAL PAD 35X 35 MM OR FULL COVERAGE OF HEAT SINK BASE	1

NOTE: SEE TABLE BELOW FOR COMPLETE PART NUMBER WITH OPTIONS.

COMPLETE PART NUMBER WITH OPTIONS

ROOT	HEIGHT hh	BASE	CLIP c	PAD
INL 37.5001 -	6 (6.3 MM)	/1.7 (1.7MM)	Y(YELLOW)	+T725
	10 (9.5MM)		BU(BLUE)	
	13 (12.7MM)		O(ORANGE)	+OTHER
EXAMPLE PART NUMBER: INL37.5001-13/1.7O+T725				

MATERIAL	APPROVALS	DATE
FINISH	DRAWN AREDDY	01/18/07
UNLESS OTHERWISE SPECIFIED DIMENSIONS ARE IN MM TOLERANCES ARE: 0-1 PLACE DECIMAL: ± .25 2 PLACE DECIMALS: ± .10 ANGLES: ± 1°	CHECKED FWANG	01/26/07
	MFG ENG	
	QUAL ENG	
THIRD ANGLE PROJECTION	SHEET 1 OF 1	



RADIAN HEATSINKS
DIV. OF INTRICAST CO. INC.
2160 WALSH AVE
SANTA CLARA, CA 95050

37.5MM LOW PROFILE
HEAT SINK ASSEMBLY

SIZE	DWG. NO.	REV.
A	INL37.5001	D