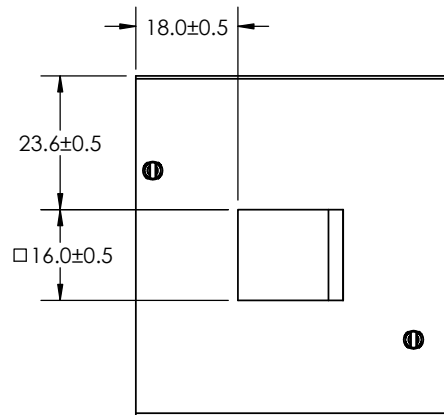
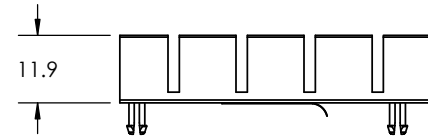
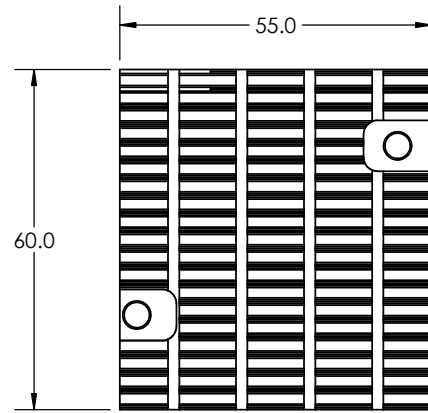
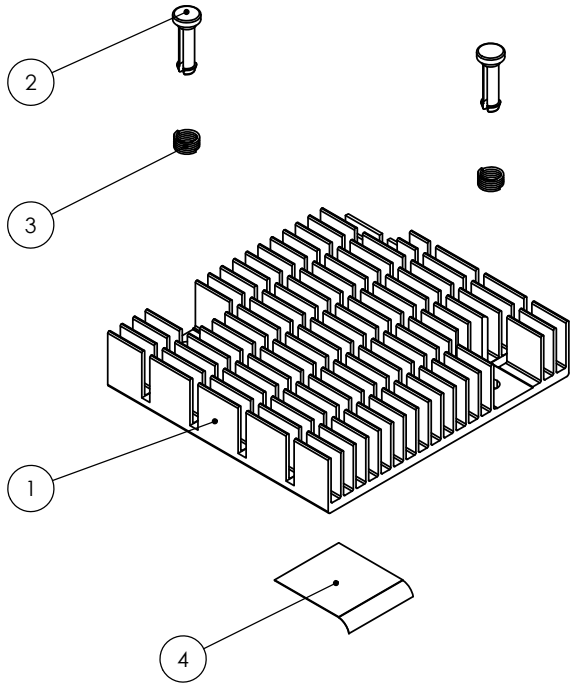


THE INFORMATION CONTAINED IN THIS DRAWING IS THE SOLE PROPERTY OF RADIAN HEATSINKS AND ANY REPRODUCTION IN PART OR IN WHOLE IS STRICTLY PROHIBITED WITHOUT THE WRITTEN PERMISSION OF RADIAN HEATSINKS.

REV	DESCRIPTION	APPROVED	DATE
A	INITIAL RELEASE	KP	4/16/2023

EXPLODED VIEW



NOTES: (UNLESS OTHERWISE SPECIFIED)  
1. PART SHALL BE ROHS COMPLIANT

ITEM NO.	PART NUMBER	DESCRIPTION	QTY.
1	PC11154	CROSS CUT PLATE FIN HEAT SINK	1
2	HS8175	BRASS PUSH PIN	2
3	SP029	COMPRESSION SPRING	2
4	P9909	CHOMERICS T725 PAD 16X16mm WITH RELEASE LINER	1

UNLESS OTHERWISE SPECIFIED  
DIMENSIONS ARE IN mm  
TOLERANCES ARE:  
1 PLACE DECIMALS: ± 0.25  
2 PLACE DECIMALS: ± 0.10  
ANGLES: ± 1°

THIRD ANGLE PROJECTION

APPROVALS	DATE
DRAWN LCAPILI	04/04/2023
CHECKED CTOLENTINO	04/12/2023
ENGINEER KPINHEIRO	04/04/2023
SHEET 1 OF 1	



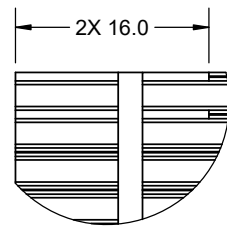
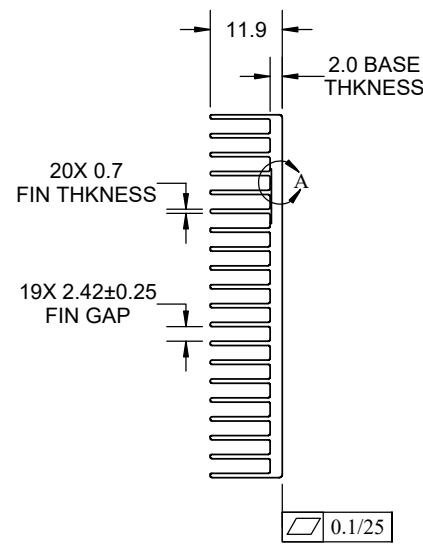
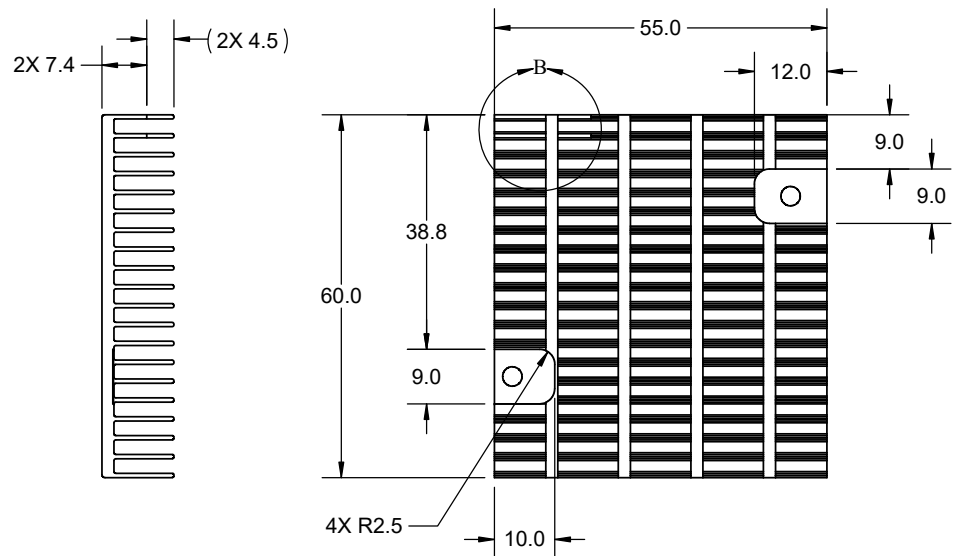
**RADIAN HEATSINKS**  
RADIAN THERMAL PRODUCTS, INC.  
2160 WALSH AVE  
SANTA CLARA, CA 95050

**HEAT SINK ASSEMBLY**

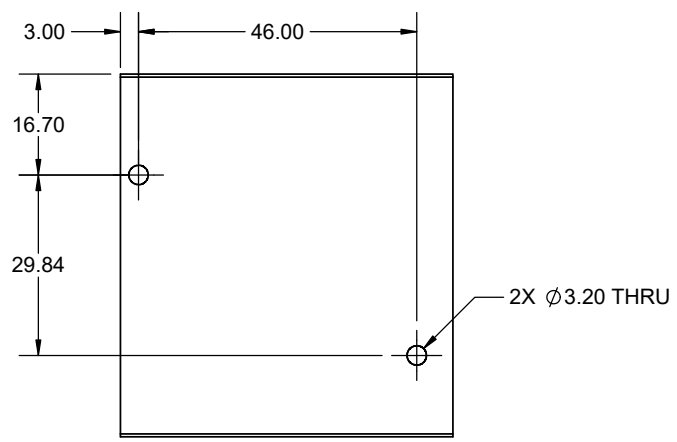
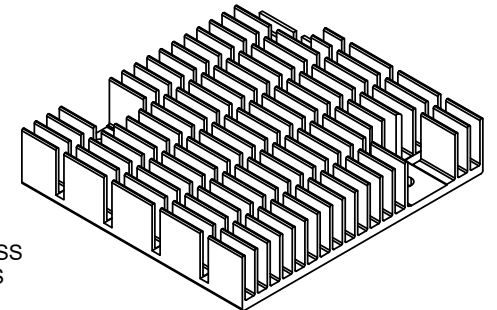
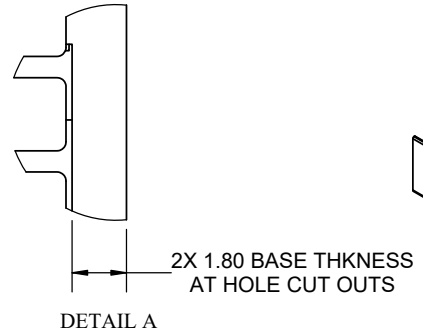
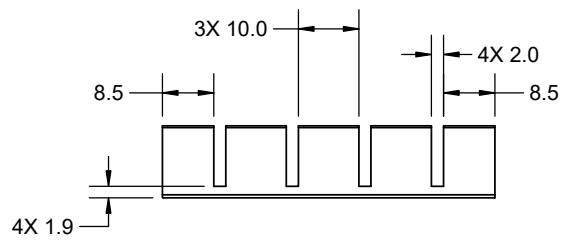
SIZE	DWG. NO.	REV.
A	PC11155	A

THE INFORMATION CONTAINED IN THIS DRAWING IS THE SOLE PROPERTY OF RADIAN HEATSINKS AND ANY REPRODUCTION IN PART OR IN WHOLE IS STRICTLY PROHIBITED WITHOUT THE WRITTEN PERMISSION OF RADIAN HEATSINKS.

REV	DESCRIPTION	APPROVED	DATE
A	INITIAL RELEASE	KP	4/16/2023



DETAIL B



NOTES: (UNLESS OTHERWISE SPECIFIED)

- 1 MATERIAL: AL6061/AL6063
- 2 PART CAN BE MADE FROM EMU155 OR EMU098 EXTRUSION
- 3 FINISH: ANODIZE PER MIL-A-8625 TYII CL2 BLACK
- 4. MAX. RADIUS 0.35 mm IS ALLOWED AT FIN TIPS AND ROOTS
- 5. MAX DRAFT ANGLE 0.5° IS ALLOWED
- 6. PART SHALL BE FREE OF BURRS AND SHARP EDGES
- 7. PART SHALL BE RoHS COMPLIANT

MATERIAL	1 2	APPROVALS	DATE
DRAWN		LCAPILI	04/05/2023
FINISH	3	CHECKED	
UNLESS OTHERWISE SPECIFIED DIMENSIONS ARE IN mm TOLERANCES ARE: 1 PLACE DECIMALS: ± 0.25 2 PLACE DECIMALS: ± 0.10 ANGLES: ± 1°		CTOLENTINO	04/12/2023
		ENGINEER	
		KPINHEIRO	04/05/2023
THIRD ANGLE PROJECTION		SHEET 1 OF 1	



**RADIAN HEATSINKS**  
RADIAN THERMAL PRODUCTS, INC.  
2160 WALSH AVE  
SANTA CLARA, CA 95050

CUSTOM HEATSINK

SIZE	DWG. NO.	REV.
A	PCI1154	A