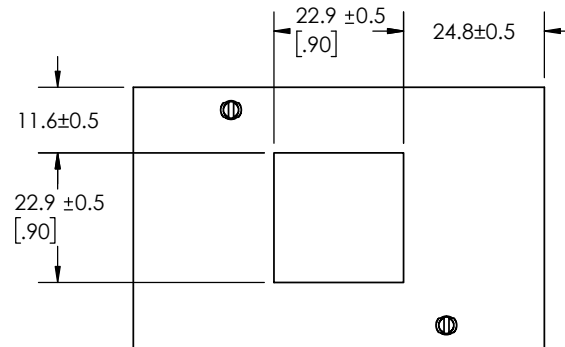
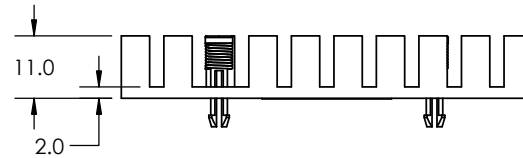
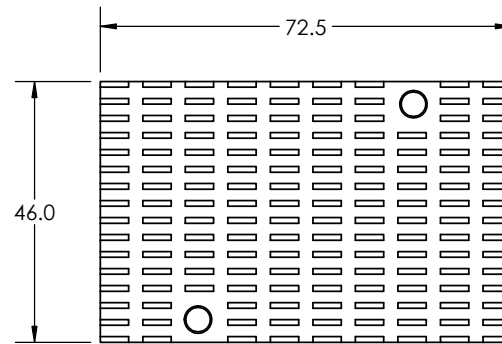
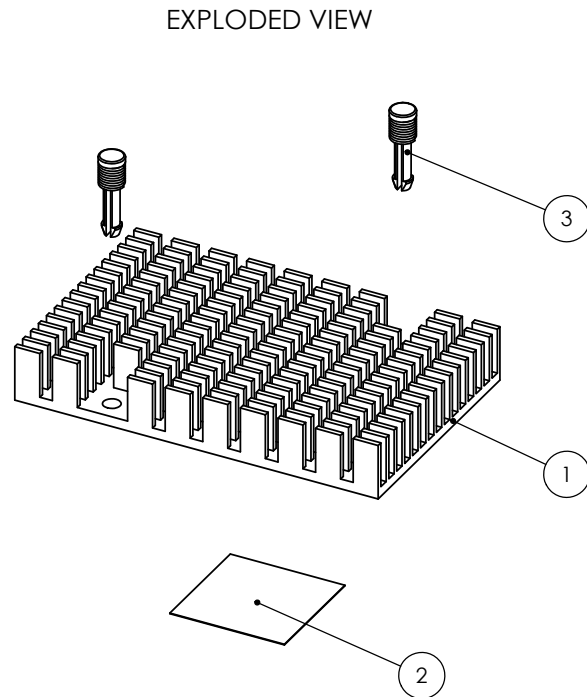


THE INFORMATION CONTAINED IN THIS DRAWING IS THE SOLE PROPERTY OF RADIAN HEATSINKS AND ANY REPRODUCTION IN PART OR IN WHOLE IS STRICTLY PROHIBITED WITHOUT THE WRITTEN PERMISSION OF RADIAN HEATSINKS.

REV	DESCRIPTION	APPROVED	DATE
A	INITIAL RELEASE	KP	4/16/2023



NOTES: (UNLESS OTHERWISE SPECIFIED)
1. PART SHALL BE RoHS COMPLIANT

ITEM NO.	PART NUMBER	DESCRIPTION	QTY.
1	PCI2062	CUSTOM HEATSINK	1
2	P1709	CHOMERICS T725 PAD .90X.90 INCH	1
3	HS8130SP005	BRASS PUSH PIN WITH SPRING	2

UNLESS OTHERWISE SPECIFIED
DIMENSIONS ARE IN mm
TOLERANCES ARE:
1 PLACE DECIMALS: ± 0.20
2 PLACE DECIMALS: ± 0.10
ANGLES: ± 1°

THIRD ANGLE PROJECTION

APPROVALS	DATE
DRAWN LCAPILI	04/04/2023
CHECKED CTOLENTINO	04/12/2023
ENGINEER KPINHEIRO	04/04/2023



RADIAN HEATSINKS
RADIAN THERMAL PRODUCTS, INC.
2160 WALSH AVE
SANTA CLARA, CA 95050

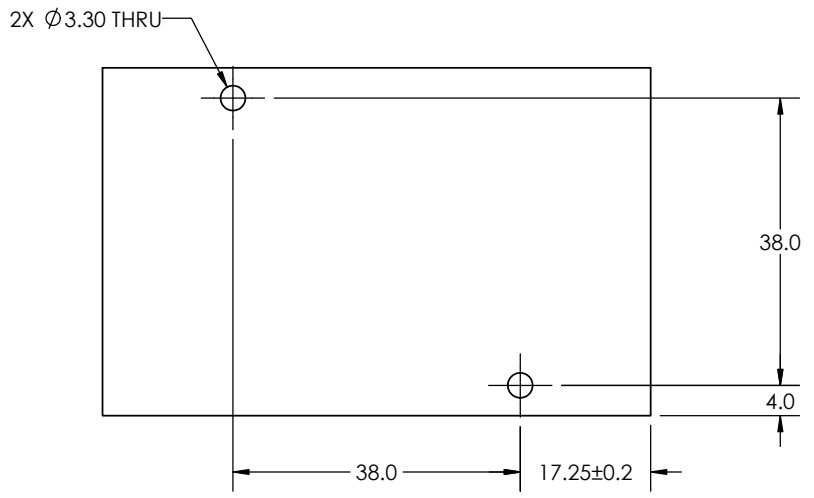
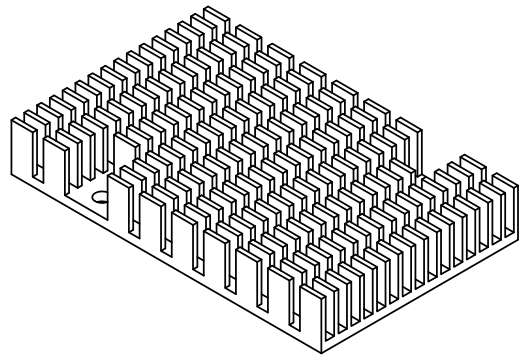
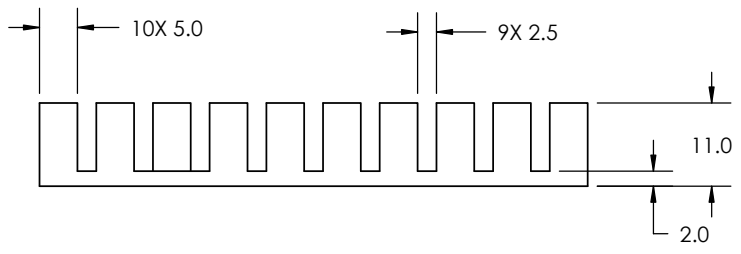
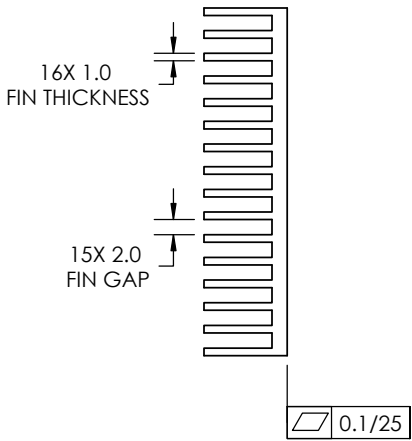
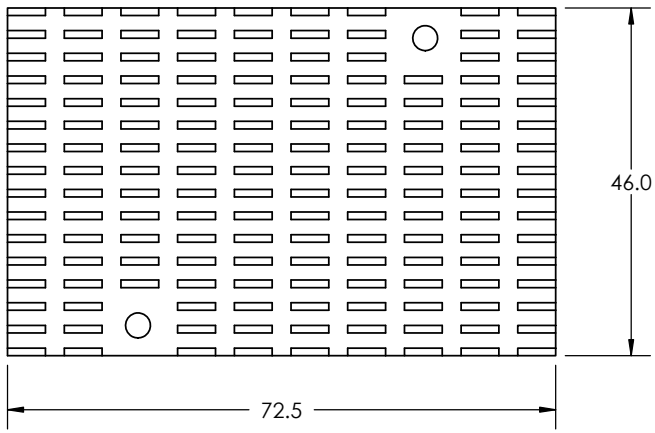
HEAT SINK ASSEMBLY

SIZE	DWG. NO.	REV.
A	PCI2063	A


SHEET 1 OF 1

THE INFORMATION CONTAINED IN THIS DRAWING IS THE SOLE PROPERTY OF RADIAN HEATSINKS AND ANY REPRODUCTION IN PART OR IN WHOLE IS STRICTLY PROHIBITED WITHOUT THE WRITTEN PERMISSION OF RADIAN HEATSINKS.

REV	DESCRIPTION	APPROVED	DATE
A	INITIAL RELEASE	KP	4/16/2023



- NOTES: (UNLESS OTHERWISE SPECIFIED)
- 1 MATERIAL: AL6061/AL6063
 - 2 PART CAN BE MADE FROM LSI063 EXTRUSION
 - 3 FINISH: ANODIZE PER MIL-A-8625 TYII CL2 BLACK
 - 4. PART SHALL BE FREE OF BURRS AND SHARP EDGES
 - 5. PART SHALL BE RoHS COMPLIANT

MATERIAL	1 2	APPROVALS	DATE	 RADIAN HEATSINKS RADIAN THERMAL PRODUCTS, INC. 2160 WALSH AVE SANTA CLARA, CA 95050
DRAWN		LCAPILI	04/11/2023	
CHECKED		CTOLENTINO	04/12/2023	
ENGINEER		KPINHEIRO	04/11/2023	
UNLESS OTHERWISE SPECIFIED DIMENSIONS ARE IN mm		THIRD ANGLE PROJECTION SHEET 1 OF 1		CUSTOM HEAT SINK SIZE DWG. NO. PCI2062
TOLERANCES ARE:				REV. A
1 PLACE DECIMALS: ± 0.20				
2 PLACE DECIMALS: ± 0.10				
ANGLES: ± 1°				