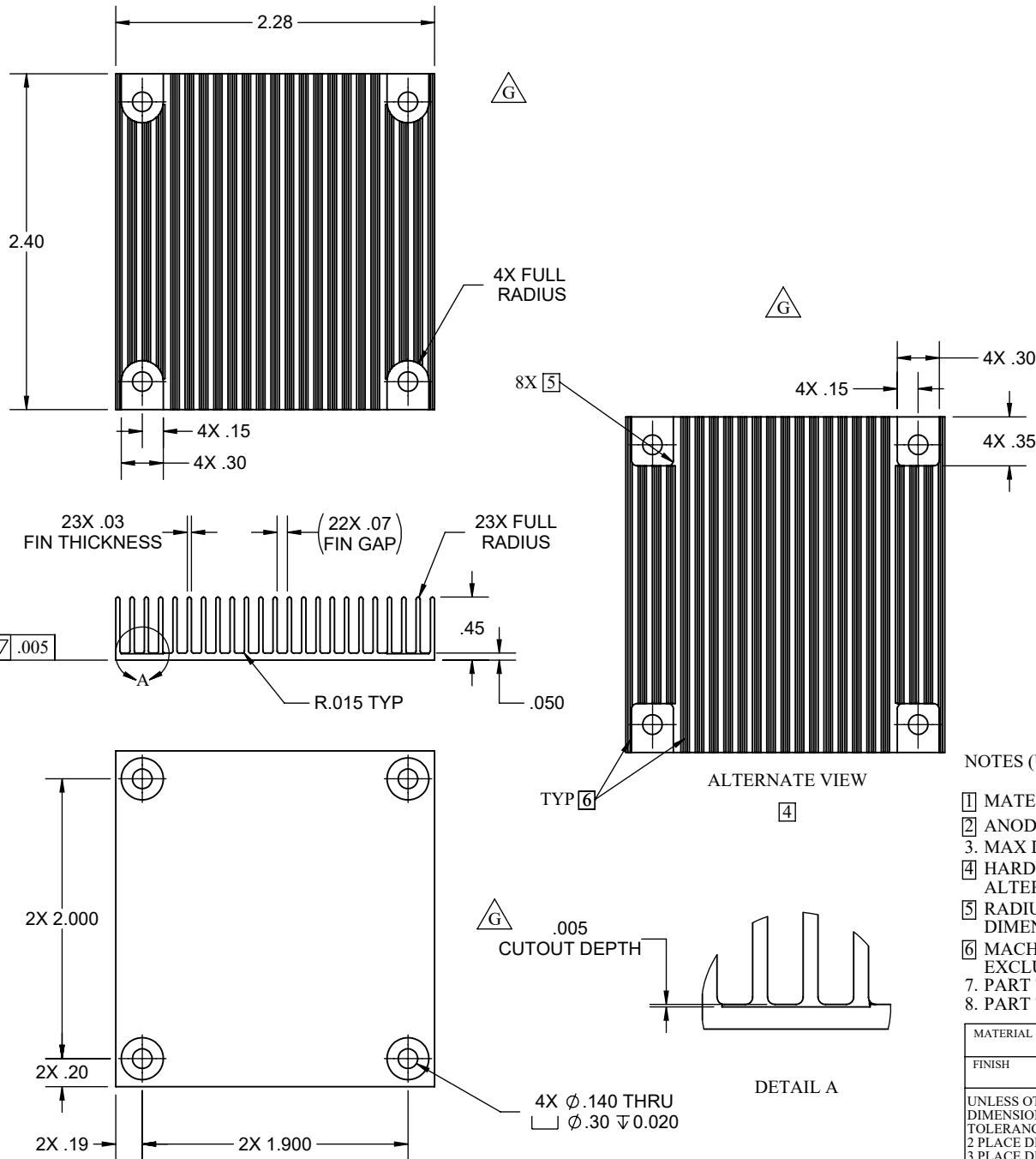
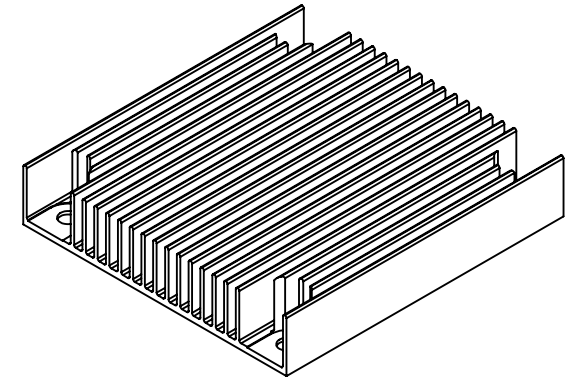


THE INFORMATION CONTAINED IN THIS DRAWING IS THE SOLE PROPERTY OF RADIAN HEATSINKS AND ANY REPRODUCTION IN PART OR IN WHOLE IS STRICTLY PROHIBITED WITHOUT THE WRITTEN PERMISSION OF RADIAN HEATSINKS.



REV	DESCRIPTION	DRAWN	APPROVED	DATE
A	INITIAL RELEASE	TL	TL	1/15/2001
B	CHANGED COUNTERBORE	TL	TL	1/15/2001
C	CHANGED FIN COUNT FROM 23 TO 25	TL	TL	3/26/2001
D	CHANGED TOLERANCE PER ECN#606122	KD	KD	7/04/2003
E	CHANGED PART3. ADDED SURFACE FINISH TABLE	FW	FW	6/12/2006
F	PER ECN#708102	AR	AR	6/10/2007
G	ECN2104192: UPADATED DOCUMENT FORMAT, NOTES, REMOVED FINISH TABLE, AND INCLUDED ALTERNATIVE VIEW	JP	AV	4/29/2021



NOTES (UNLESS OTHERWISE SPECIFIED):

- [1] MATERIAL: ALUMINUM ALLOY 6063-T5.
- [2] ANODIZE PER MIL-A-8625 TYII CL2 BLACK.
- 3. MAX DRAFT ANGLE 0.5° IS ALLOWED.
- [4] HARDWARE CUTOUS VARY IN STYLE AND MAY APPEAR AS SHOWN IN ALTERNATE VIEW.
- [5] RADIUS TO BE SELECTED AT MANUFACTURER'S OPTION. RADIUS DIMENSION SHALL NOT BE INSPECTED.
- [6] MACHINING INTO INDICATED FINS IS NOT PERMITTED, BASE RADII EXCLUDED.
- 7. PART TO BE FREE OF BURRS.
- 8. PART TO BE RoHS COMPLIANT.

MATERIAL	APPROVALS	DATE
[1]	DRAWN	
FINISH [2]	TLABARGE	1/02/2001
UNLESS OTHERWISE SPECIFIED DIMENSIONS ARE IN INCHES TOLERANCES ARE: 2 PLACE DECIMALS: ± 0.010 3 PLACE DECIMALS: ± 0.005 ANGLES: ± 1°	CHECKED	AVALLE 4/29/2021
	ENGINEER	JPOLLARD 4/14/2021
	THIRD ANGLE PROJECTION	
SHEET 1 OF 1		SIZE DWG. NO.

RADIAN HEATSINKS
 RADIAN THERMAL PRODUCTS, INC.
 2160 WALSH AVE
 SANTA CLARA, CA 95050

**2.28 X 2.40 X .45
 DC/DC HEATSINK**

HS1576E

REV. G