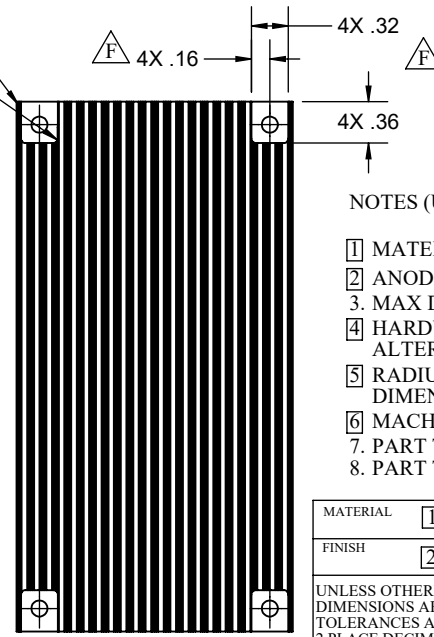
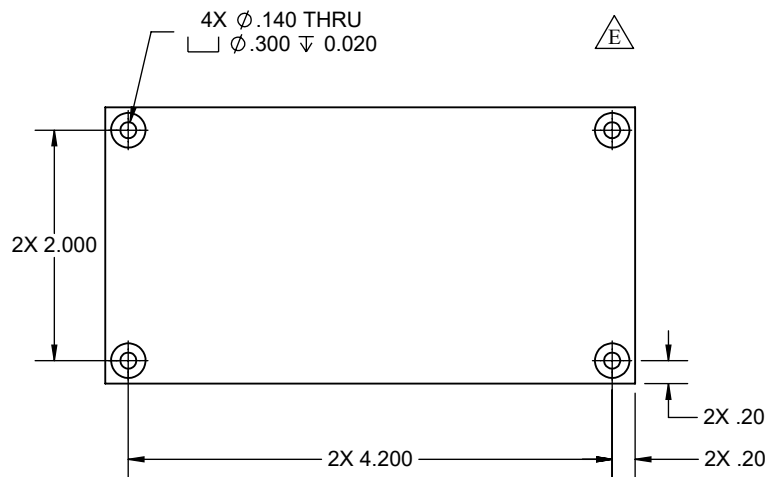
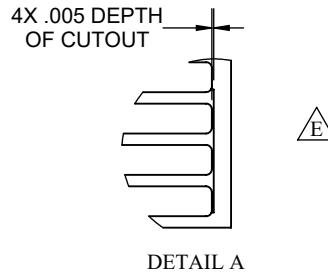
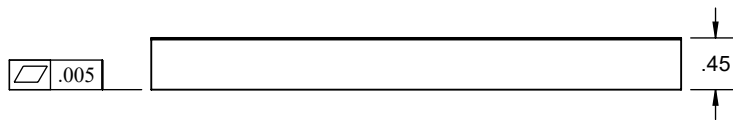
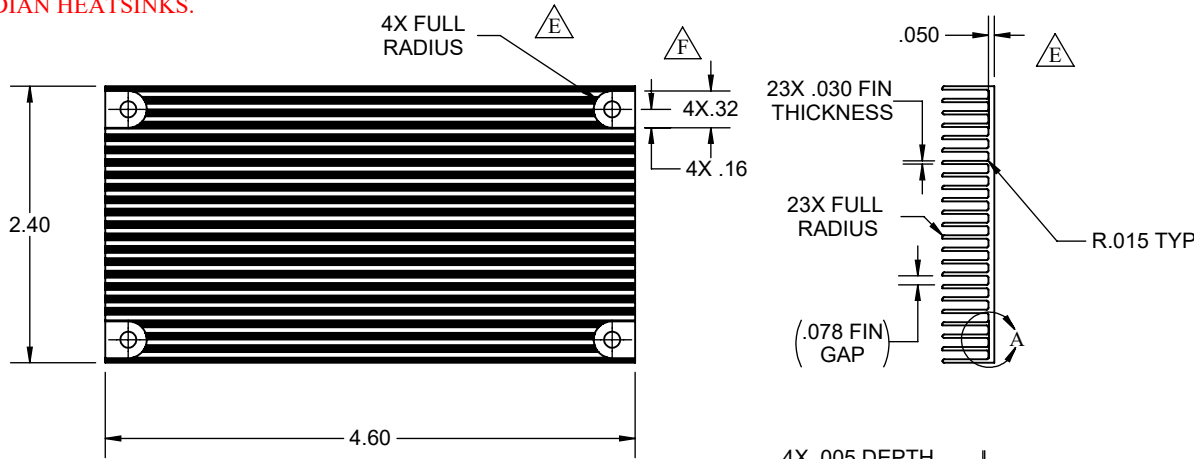
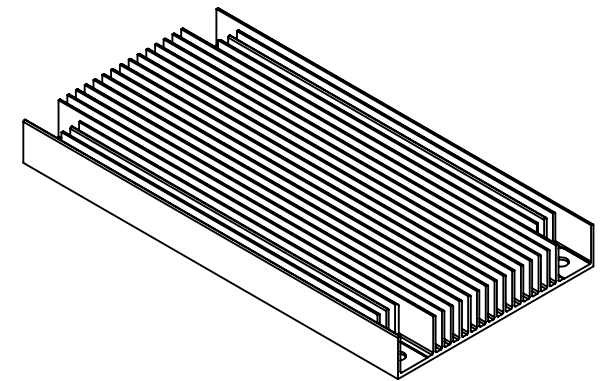


THE INFORMATION CONTAINED IN THIS DRAWING IS THE SOLE PROPERTY OF RADIAN HEATSINKS AND ANY REPRODUCTION IN PART OR IN WHOLE IS STRICTLY PROHIBITED WITHOUT THE WRITTEN PERMISSION OF RADIAN HEATSINKS.



REV	DESCRIPTION	DRAWN	APPROVED	DATE
A	INITIAL RELEASE	KA	KA	6/01/2003
B	CHANGED TOL ON L AND W	KA	KA	6/02/2003
C	CHANGED PART #. ADDED SURFACE FINISH TABLE	KA	KA	7/04/2003
D	CHANGED TOLERANCE PER ECN#706051	FW	FW	6/05/2007
E	ECN2104192: UPADATED DOCUMENT FORMAT, NOTES, REMOVED FINISH TABLE, AND INCLUDED ALTERNATIVE VIEW	JP	SD	4/29/2021
F	ECN2105241: CORRECTION TO HARDWARE CUTOUT SIZES	JP	SD	5/24/2021



NOTES (UNLESS OTHERWISE SPECIFIED):

- 1 MATERIAL: ALUMINUM ALLOY 6063-T5.
- 2 ANODIZE PER MIL-A-8625 TYII CL2 BLACK.
- 3. MAX DRAFT ANGLE 0.5° IS ALLOWED.
- 4 HARDWARE CUTOUTS VARY IN STYLE AND MAY APPEAR AS SHOWN IN ALTERNATE VIEW.
- 5 RADIUS TO BE SELECTED AT MANUFACTURER'S OPTION. RADIUS DIMENSION SHALL NOT BE INSPECTED.
- 6 MACHINING INTO INDICATED FINS IS NOT PERMITTED.
- 7. PART TO BE FREE OF BURRS.
- 8. PART TO BE RoHS COMPLIANT.

MATERIAL	1	APPROVALS	DATE
FINISH	2	DRAWN	KADANGODE 6/01/2003
UNLESS OTHERWISE SPECIFIED DIMENSIONS ARE IN INCHES TOLERANCES ARE: 2 PLACE DECIMALS: ± 0.010 3 PLACE DECIMALS: ± 0.005 ANGLES: ± 1°	CHECKED	SDOKUBO	4/29/2021
	ENGINEER	JPOLLARD	4/14/2021
	THIRD ANGLE PROJECTION		



RADIAN HEATSINKS
 RADIAN THERMAL PRODUCTS, INC.
 2160 WALSH AVE
 SANTA CLARA, CA 95050

**4.60 X 2.40 X .45
 DC/DC HEATSINK**

SIZE	DWG. NO.	REV.
A	HS1592E	F

SHEET 1 OF 1