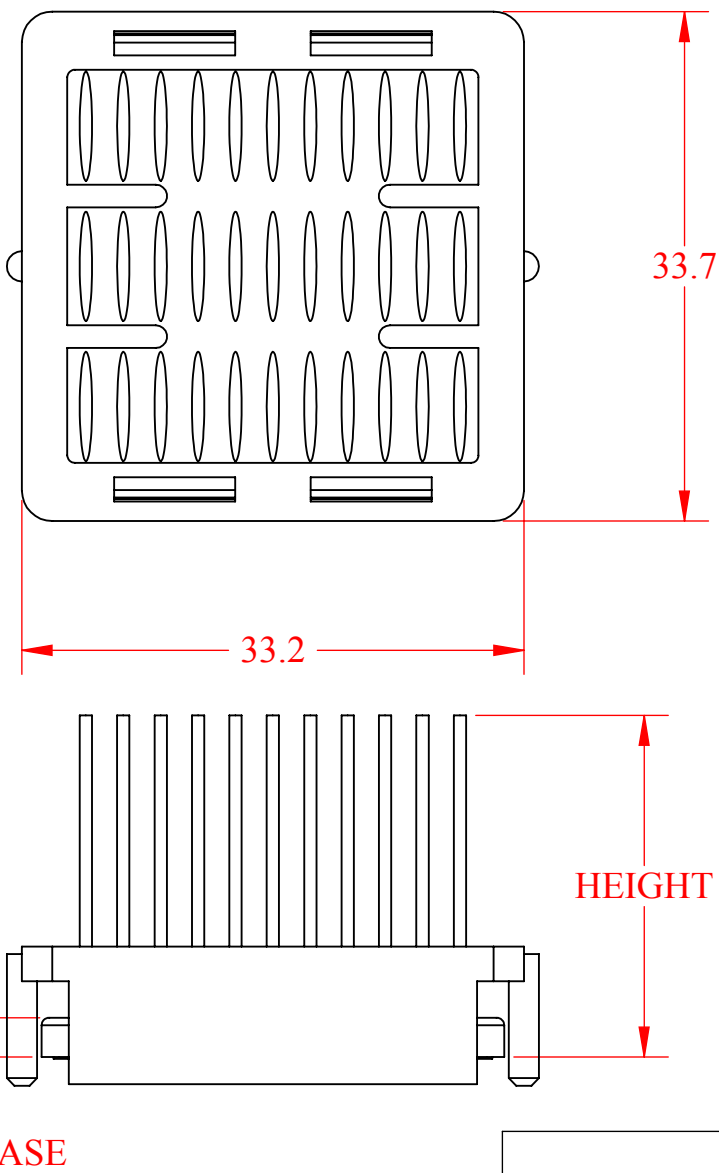
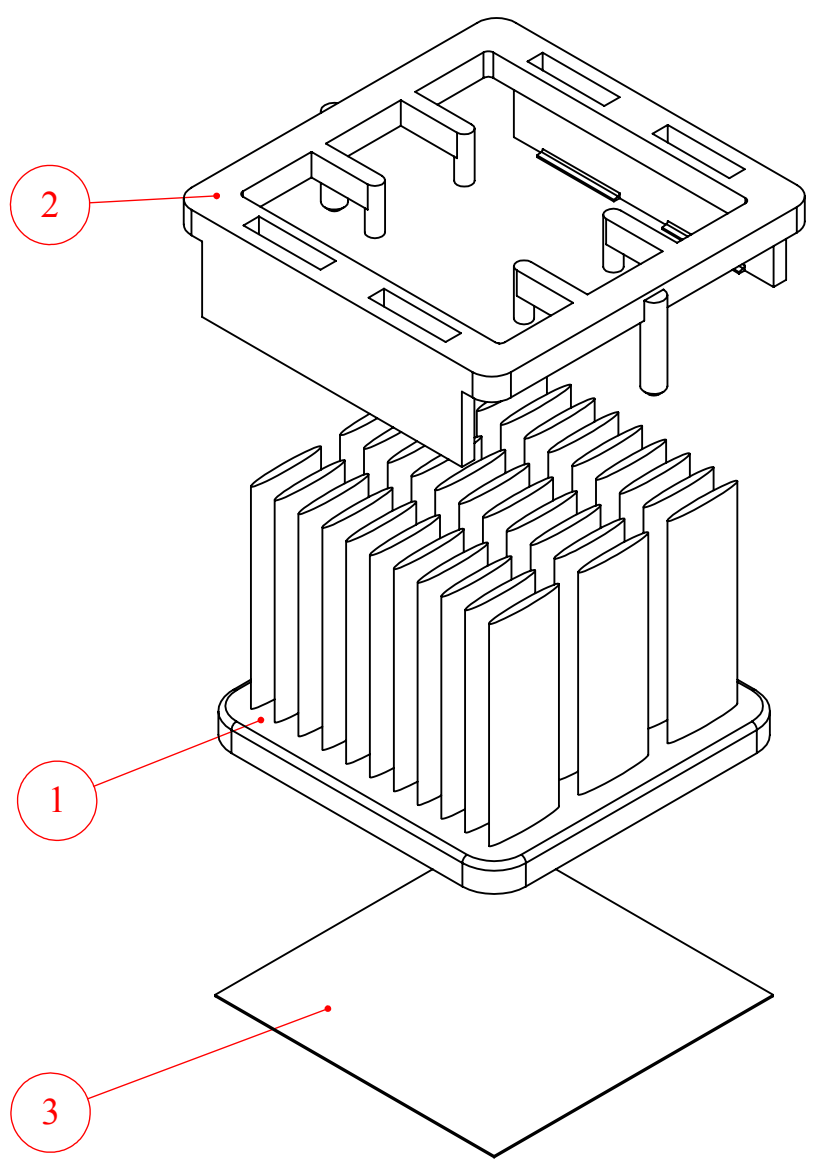


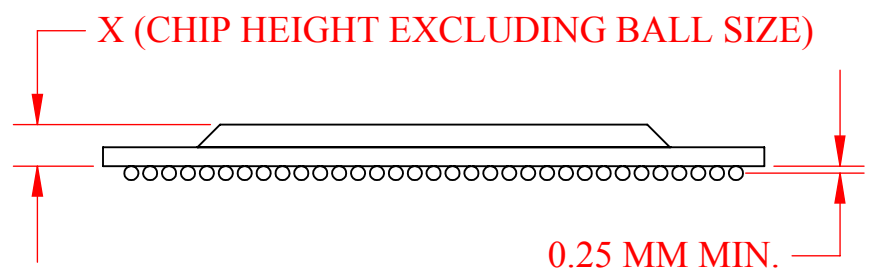
THE INFORMATION CONTAINED IN THIS DRAWING IS THE SOLE PROPERTY OF RADIAN HEAT SINKS AND ANY REPRODUCTION IN PART OR IN WHOLE IS STRICTLY PROHIBITED WITHOUT THE WRITTEN PERMISSION OF RADIAN HEATSINKS.

| REVISIONS |                                       |          |          |
|-----------|---------------------------------------|----------|----------|
| REV.      | DESCRIPTION                           | DATE     | APPROVED |
| A         | NEW RELEASE                           | 9/22/05  | FWANG    |
| B         | ECN#705211: UPDATED PAD SIZE AND CLIP | 7/21/07  | FWANG    |
| C         | PER ECN# 005051                       | 05/05/10 | FWANG    |

**EXPLODED VIEW**



- NOTES:**
- SEE TABLE BELOW FOR COMPLETE PART NUMBER WITH OPTIONS.
  - RECOMMENDED KEEP-OUT AREA: 36X36 MM.
  - COLOR OF CLIP TO BE SELECTED BASED ON CHIP HEIGHT AS ILLUSTRATED BELOW.



| X          | CLIP COLOR |
|------------|------------|
| 3.3±0.3 MM | YELLOW     |
| 1.7±0.3 MM | BLUE       |
| 0.9±0.3 MM | ORANGE     |

| COMPLETE PART NUMBER WITH OPTIONS |               |               |            |            |
|-----------------------------------|---------------|---------------|------------|------------|
| ROOT                              | HEIGHT (hh)   | BASE          | CLIP (c)   | PAD        |
| INM31001-                         | 15W (14.6 MM) | /2.6 (2.6 MM) | Y (YELLOW) | +T710      |
|                                   | 18W (17.6 MM) |               | BU (BLUE)  |            |
|                                   | 21W (20.6 MM) |               |            |            |
|                                   | 23W (22.6 MM) |               |            | O (ORANGE) |
|                                   | 28W (27.6 MM) |               |            |            |
| 33W (32.6 MM)                     |               |               |            |            |

EXAMPLE PART NUMBER: INM31001-23W/2.6BU+T710

| ITEM NO. | PART NUMBER      | DESCRIPTION  | QTY. |
|----------|------------------|--|------|
| 1        | INM31001-hhW/2.6 | ELLIPTICAL HEAT SINK (SEE TABLE ON THE RIGHT FOR HEIGHT CODE hh) | 1    |
| 2        | BCP34-09(31)c    | 31 MM EZ-SNAP CLIP (SEE TABLE ON THE RIGHT FOR CLIP CODE c)      | 1    |
| 3        | OPTIONAL         | THERMAL PAD 29X29 MM OR FULL COVERAGE OF HEAT SINK BASE          | 1    |

|  |   |                      |   |
|--|---|----------------------|---|
| UNLESS OTHERWISE SPECIFIED DIMENSIONS ARE IN MM TOLERANCES ARE:<br>DECIMALS ANGLES<br>X. ±.25 ±1°<br>X.X ±.25<br>X.XX ±.10 | CAD GENERATED DRAWING, DO NOT MANUALLY UPDATE |                      | <b>RADIAN HEATSINKS</b><br>DIV. OF INTRICAST CO. INC.<br>2160 WALSH AVE<br>SANTA CLARA, CA - 95050<br><br><b>31 MM ELLIPTICAL HEAT SINK</b> |
|  | APPROVALS                                     | DATE                 |   |
|  | DRAWN   | FWANG 9/22/05        |   |
|  | CHECKED                                       | TSIN 9/23/05         |   |
| MATERIAL   | RESP ENG                                      | FWANG 9/22/05        | SIZE B DWG. NO. <b>INM31001</b> REV. <b>C</b>   |
| FINISH   | MFG ENG                                       |                      |   |
| NEXT ASSY  | USED ON                                       | QUAL ENG             |   |
| APPLICATION  |   | DO NOT SCALE DRAWING |   |