

THE INFORMATION CONTAINED IN THIS DRAWING IS THE SOLE PROPERTY OF RADIAN HEATSINKS AND ANY REPRODUCTION IN PART OR IN WHOLE IS STRICTLY PROHIBITED WITHOUT THE WRITTEN PERMISSION OF RADIAN HEATSINKS.

REV	DESCRIPTION	DRAWN	APPROVED	DATE
A	INITIAL RELEASE	CT	SR	12/20/2023
B	ECN000275: ADDED FAN SHROUD AND TOLERANCE	TL	KP	08/27/2024

EXPLODED VIEW

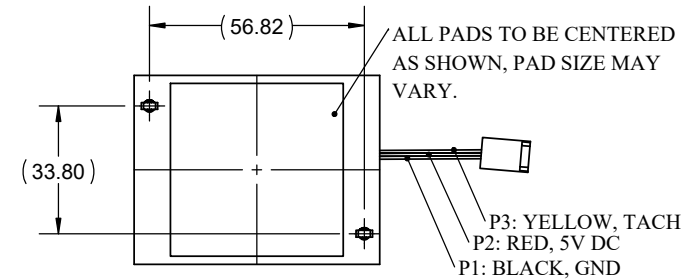
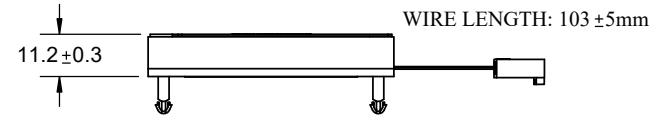
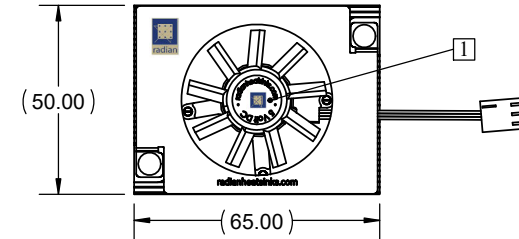
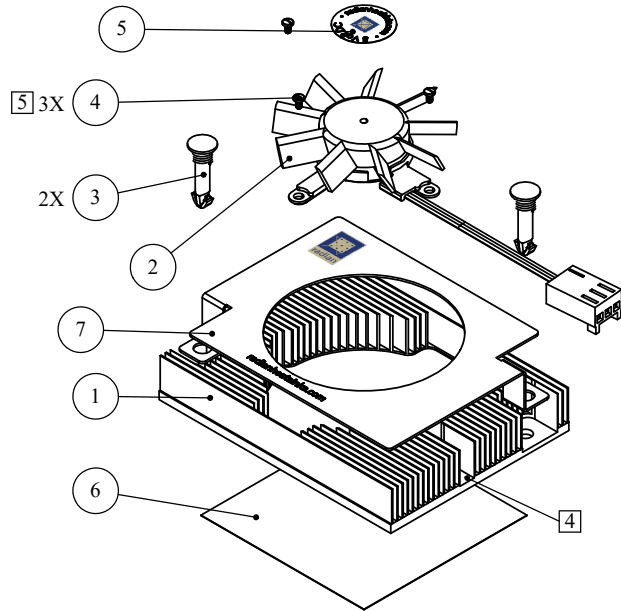


TABLE 1: COMPLETE PART NUMBER WITH OPTIONS

ROOT	PUSHPIN	THERMAL PAD
WV05L	NONE	NONE OR PXXXX OR 3M8815 (FULL COVERAGE)
	B (BRASS PUSHPIN) - HS8097SP029	NONE OR PXXXX OR PB0021-01 (CHOMERICS T725 45.72X45.72mm)
	P (PLASTIC PUSHPIN) - HS8143	
EXAMPLE PART NUMBER: WV05L + P + PB0021-01		


NOTES, UNLESS OTHERWISE SPECIFIED:

- RADIAN LABEL TO BE PLACED ON TOP OF FAN, VISUAL OF LABEL WILL VARY.
- RECOMMENDED HOLE ON PCB: 3.2mm FOR PLASTIC PUSHPIN, 3.0mm FOR BRASS PUSHPIN.
- FAN MODEL IS FOR ILLUSTRATION ONLY, ACTUAL PART MAY VARY.
- ROUTE WIRE THROUGH CUTOUT.
- APPLY LOCTITE 222 PURPLE THREADLOCKER TO ITEM 4 BEFORE ASSEMBLING.
- PART SHALL BE RoHS COMPLIANT

ITEM NO.	PART NUMBER	DESCRIPTION	QTY.
1	PCI4019	65X50X10.5mm PCI SKIVED COPPER HEAT SINK	1
2	HS8417	37mm DIA FRAMELESS FAN, 5V, 3-WIRE W/ CONNECTOR	1
3	SEE TABLE 1	PUSH PIN	2
4	91800A075	McMASTER 18-8 STAINLESS STEEL NARROW CHEESE HEAD SLOTTED SCREW	3
5	HS8255	RADIAN LABEL- 5V DC	1
6	SEE TABLE 1	THERMAL PAD	1
7	RAD0001058	FAN SHROUD	1

UNLESS OTHERWISE SPECIFIED DIMENSIONS ARE IN mm  
 1 PLACE DECIMALS: ± 0.25  
 2 PLACE DECIMALS: ± 0.10  
 ANGLES: ± 1°

THIRD ANGLE PROJECTION

APPROVALS	DATE	 <b>RADIAN HEATSINKS</b> RADIAN THERMAL PRODUCTS, INC. 2160 WALSH AVE SANTA CLARA, CA 95050	REV.	
DRAWN			<b>65X50X10.5mm PCI SKIVED FAN SINK ASSEMBLY</b>	
CHECKED				
ENGINEER			SIZE DWG. NO.	

SHEET 1 OF 1

A

WV05L

B