

THE INFORMATION CONTAINED IN THIS DRAWING IS THE SOLE PROPERTY OF RADIAN HEATSINKS AND ANY REPRODUCTION IN PART OR IN WHOLE IS STRICTLY PROHIBITED WITHOUT THE WRITTEN PERMISSION OF RADIAN HEATSINKS.

REV	DESCRIPTION	DRAWN	APPROVED	DATE
A	INITIAL RELEASE	CT	SR	12/20/2023
B	ECN000275: ADDED FAN SHROUD AND TOLERANCE	TL	KP	08/27/2024

EXPLODED VIEW

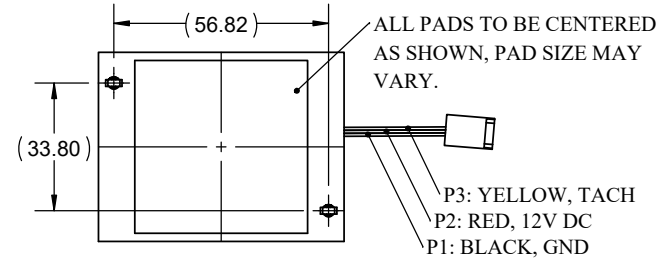
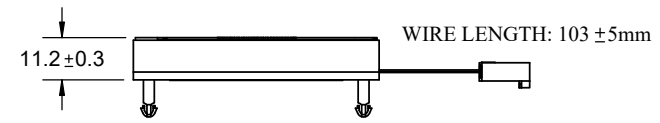
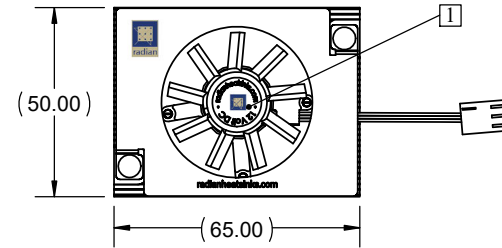
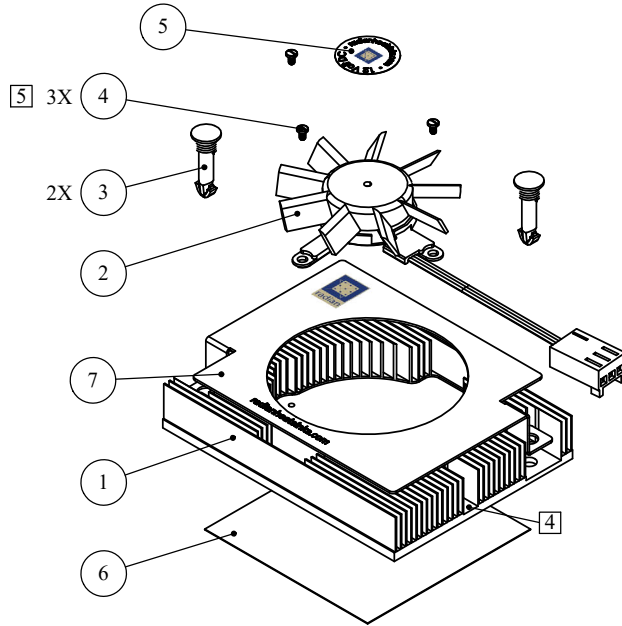


TABLE 1: COMPLETE PART NUMBER WITH OPTIONS


ROOT	PUSHPIN	THERMAL PAD
WV12L	NONE	NONE OR PXXXX OR 3M8815 (FULL COVERAGE)
	B (BRASS PUSHPIN) - HS8097SP029	NONE OR PXXXX OR PB0021-01 (CHOMERICS T725 45.72X45.72mm)
	P (PLASTIC PUSHPIN) - HS8143	
EXAMPLE PART NUMBER: WV12L + P + PB0021-01		

- NOTES: UNLESS OTHERWISE SPECIFIED.
- RADIAN LABEL TO BE PLACED ON TOP OF FAN, VISUAL OF LABEL WILL VARY.
 - RECOMMENDED HOLE ON PCB:
3.2mm FOR PLASTIC PUSHPIN,
3.0mm FOR BRASS PUSHPIN.
 - FAN MODEL IS FOR ILLUSTRATION ONLY, ACTUAL PART MAY VARY.
 - ROUTE WIRE THROUGH CUTOUT.
 - APPLY LOCTITE 222 PURPLE THREADLOCKER TO ITEM 4 BEFORE ASSEMBLING.
 - PART SHALL BE RoHS COMPLIANT.

ITEM NO.	PART NUMBER	DESCRIPTION	QTY.
1	PCI4019	65X50X10.5mm PCI SKIVED COPPER HEAT SINK	1
2	HS8416	37mm DIA FRAMELESS FAN, 12V, 3-WIRE W/ CONNECTOR	1
3	SEE TABLE 1	PUSH PIN	2
4	91800A075	McMASTER 18-8 STAINLESS STEEL NARROW CHEESE HEAD SLOTTED SCREW	3
5	HS8249	RADIAN LABEL-12V DC	1
6	SEE TABLE 1	THERMAL PAD	1
7	RAD0001058	FAN SHROUD	1

UNLESS OTHERWISE SPECIFIED DIMENSIONS ARE IN mm
TOLERANCES ARE:
1 PLACE DECIMALS: ± 0.25
2 PLACE DECIMALS: ± 0.10
ANGLES: ± 1°

THIRD ANGLE PROJECTION

APPROVALS	DATE	 RADIAN HEATSINKS RADIAN THERMAL PRODUCTS, INC. 2160 WALSH AVE SANTA CLARA, CA 95050
DRAWN CTOLENTINO	12/12/2023	
CHECKED SRAYKAR	12/15/2023	65X50X10.5mm PCI SKIVED FAN SINK ASSEMBLY
ENGINEER SRAYKAR	12/15/2023	
SHEET 1 OF 1		SIZE DWG. NO. A WV12L
		REV. B