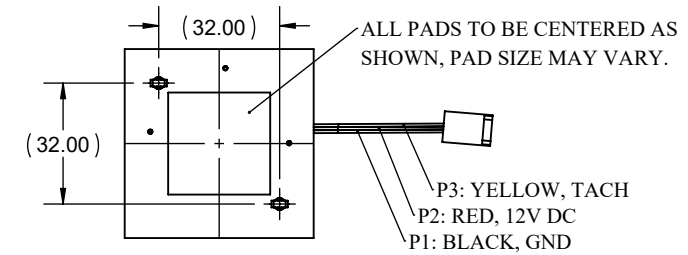
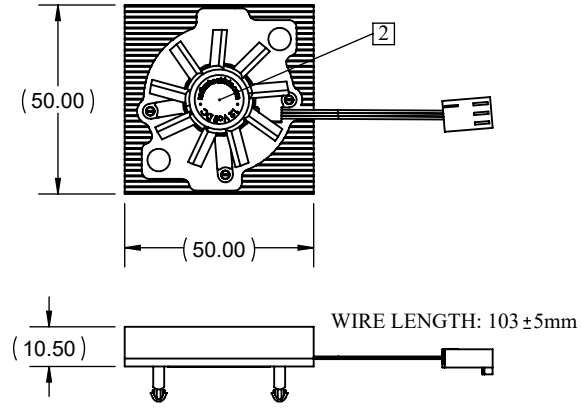
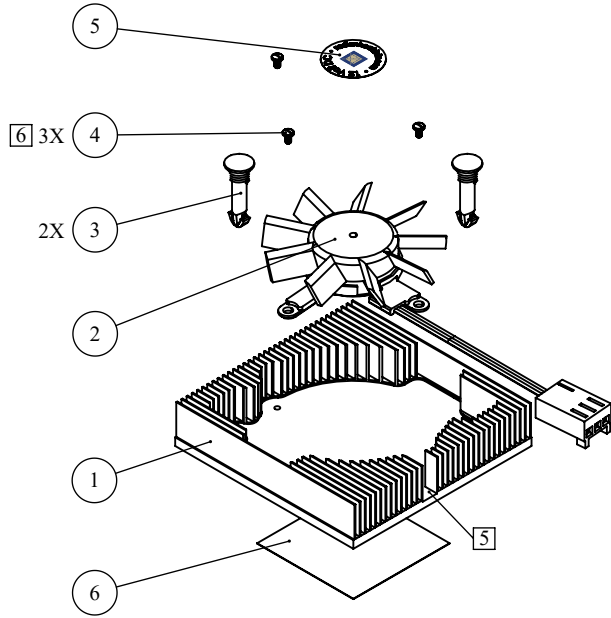


THE INFORMATION CONTAINED IN THIS DRAWING IS THE SOLE PROPERTY OF RADIAN HEATSINKS AND ANY REPRODUCTION IN PART OR IN WHOLE IS STRICTLY PROHIBITED WITHOUT THE WRITTEN PERMISSION OF RADIAN HEATSINKS.

REV	DESCRIPTION	DRAWN	APPROVED	DATE
A	INITIAL RELEASE	CT	SR	12/20/2023

EXPLODED VIEW



- NOTES: UNLESS OTHERWISE SPECIFIED
- PART SHALL BE RoHS COMPLIANT.
 - RADIAN LABEL TO BE PLACED ON TOP OF FAN, VISUAL OF LABEL MAY VARY.
 - RECOMMENDED HOLE ON PCB: 3.2mm FOR PLASTIC PUSHPIN, 3.0mm FOR BRASS PUSHPIN.
 - FAN MODEL IS ILLUSTRATION ONLY, ACTUAL PART MAY VARY.
 - ROUTE WIRE THROUGH CUTOUT.
 - APPLY LOCTITE 222 PURPLE THREADLOCKER TO ITEM 4 BEFORE ASSEMBLING.


TABLE 1: COMPLETE PART NUMBER WITH OPTIONS

ROOT	PUSHPIN	THERMAL PAD
WV12S	NONE	NONE OR OR PXXXX OR 3M8815 (FULL COVERAGE)
	B (BRASS PUSHPIN) - HS8097SP029	NONE OR PXXXX OR PB0010-01 (CHOMERICS T725 27X27mm)
	P (PLASTIC PUSHPIN) - HS8143	
EXAMPLE PART NUMBER: WV12S + B + PB0010-01		

ITEM NO.	PART NUMBER	DESCRIPTION	QTY.
1	PCI4018	50X50X10.5mm PCI SKIVED COPPER HEATSINK	1
2	HS8416	37mm DIA FRAMELESS FAN, 12V, 3-WIRE W/ CONNECTOR	1
3	SEE TABLE 1	PUSH PIN	2
4	91800A075	MCMMASTER 18-8 STAINLESS STEEL NARROW CHEESE HEAD SLOTTED SCREW	3
5	HS8249	RADIAN LABEL-12V DC	1
6	SEE TABLE 1	THERMAL PAD	1

UNLESS OTHERWISE SPECIFIED DIMENSIONS ARE IN mm
TOLERANCES ARE:
1 PLACE DECIMALS: ± 0.25
2 PLACE DECIMALS: ± 0.10
ANGLES: ± 1°

THIRD ANGLE PROJECTION

APPROVALS	DATE	 RADIAN HEATSINKS RADIAN THERMAL PRODUCTS, INC. 2160 WALSH AVE SANTA CLARA, CA 95050	SIZE DWG. NO. WV12S	REV. A
DRAWN CTOLENTINO	12/11/2023			
CHECKED SRAYKAR	12/15/2023			
ENGINEER SRAYKAR	12/15/2023			
SHEET 1 OF 1				